

BOLOTA 316

SPECIFICATION RANGE



AB316-502

T-BAR PULL HANDLE

PRODUCT CODE

AB316-502

SIZES

300mm centres*
425mm centres
600mm centres
1000mm centres
1200mm centres
1500mm centres
1800mm centres
2000mm centres

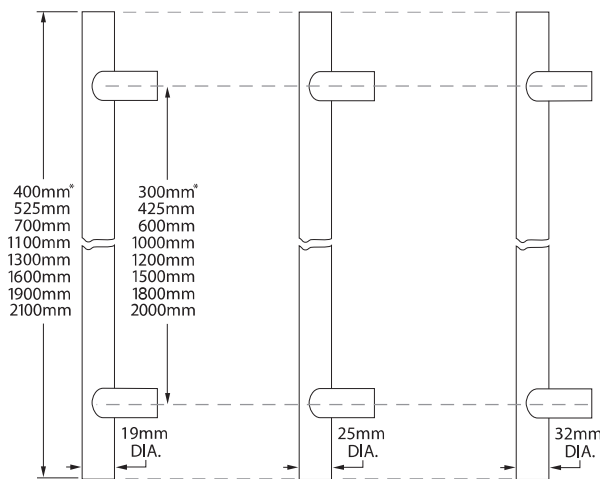
* Not available in 32mm diameter.

SPECIFICATION

- 19mm diameter
- 25mm and 32mm diameters available
- Marine Grade 316
- Bolt-through fixing as standard
- Back-to-back fixing code: AB50-1.1A
- Rose fixings if required code: AB50-1.9A
- Cranked version available

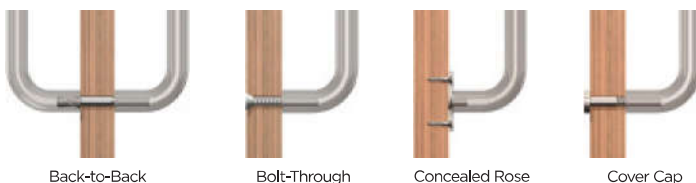
FINISHES

- Satin Stainless Steel
- Polished Stainless Steel



AB316-502

FIXING OPTIONS



Back-to-Back

Bolt-Through

Concealed Rose

Cover Cap