



Acoustic Seals Range

For Door Bottoms,
Door Perimeters &
Meeting Styles



Acoustic Door Seals

Sound Insulation

Quality you can trust

In order that doors can open and close effectively gaps around the sides of a door leaf are essential.

Unfortunately these gaps can naturally allow sound to pass through and therefore sealing these gaps is critical in reducing the amount of sound entering or leaving a room.

Approved Document E to the Building Regulations provides specific acoustic performance requirements for doors in certain buildings, including schools, care homes and hotels. Exitex have designed and developed a range of effective seal solutions to specifically address acoustic issues and have a tested and proven system for both 30 and 60 minute fire rated doors, non-fire doors, and double-leaf doors.

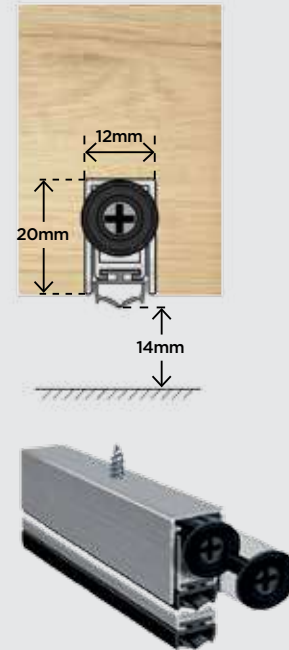
For fire doors our combined smoke and fire seals provide acoustic protection. For non-fire rated doors, where intumescent protection is not required we have a range of seals including our V Flap Elite, Twin Flipper Self Adhesive and Twin Flipper Pushfit. All of these seals are designed to be fitted across the top and vertical sides of the door.

Sealing the bottom of the door is also vital and contained within this leaflet are a wide choice of threshold seals from our Concealex range, all with proven acoustic performance.

Concealex A8100

Ref: 1.50.0001

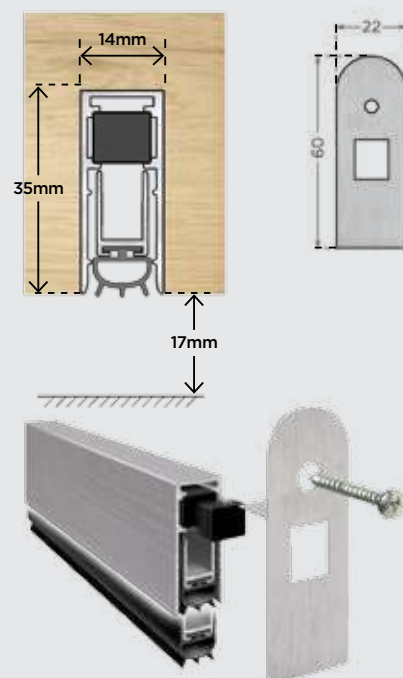
Application	Timber doors, aluminium doors, security doors and PVC doors
Maximum drop	14mm
Trimming lengths	Up to 150mm on the opposite side to the plunger (length 260mm cannot be shortened, 330mm can be shortened 50mm)
Fixing	With screws supplied
Adjustment	Standard Phillips Screwdriver
Self-levelling	Yes
Seal	Co-extruded tubular seal in self-extinguishing TPE
Fire Tested	For 30 & 60 minutes to BS EN 1634-1: 2014
Smoke Tested	to BS EN 1634-3: 2001
Acoustic Tested	up to 44dB to BS EN ISO 10140-2: 2010
In sizes	260mm, 330mm, 426mm, 526mm, 626mm, 726mm, 826mm, 914mm, 926mm, 1026mm, 1130mm, 1230mm, 1330mm and 1430mm



Concealex A8100 Superior

Ref: 1.50.0005

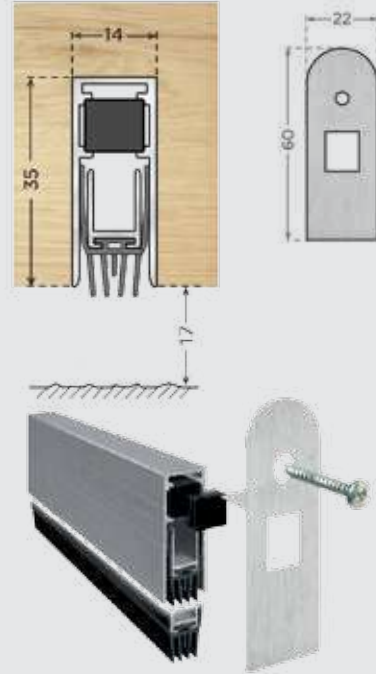
Application	Timber doors and security doors
Maximum drop	17mm
Trimming lengths	Up to 150mm on the opposite side to the plunger (length 330mm can be shortened 50mm, length 426mm can be shortened 135mm)
Fixing	With stainless steel bracket
Adjustment	Plunger with adjustable spring
Self-levelling	Yes
Seal	Sound insulating seal in self-extinguishing TPE
Fire Tested	For 30 & 60 minutes to BS EN 1634-1: 2014
Smoke Tested	to BS EN 1634-3: 2004
Acoustic Tested	up to 44dB to BS EN ISO 10140-2: 2010
In sizes	330mm, 426mm, 526mm, 626mm, 726mm, 826mm, 914mm, 926mm, 1026mm, 1130mm, 1230mm, 1330mm and 1430mm



Concealex Superior Variseal (for uneven floors)

Ref: 1.50.0015

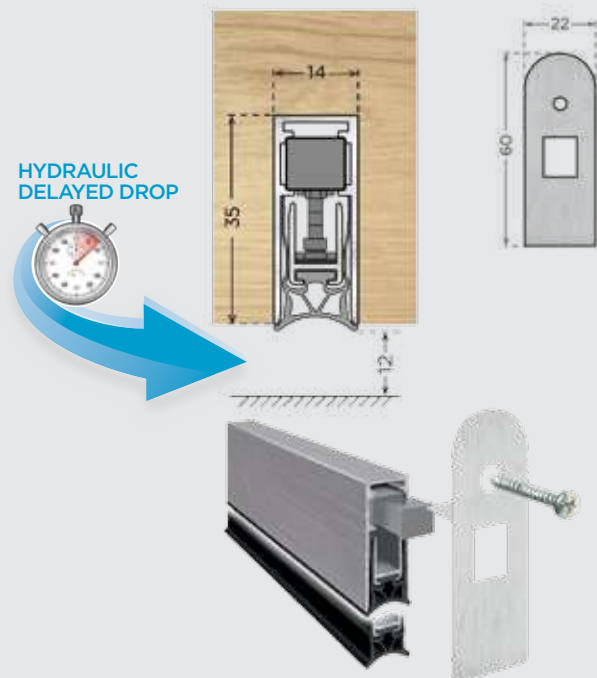
Application	Timber doors and security doors
Maximum drop	17mm
Trimming lengths	Up to 150mm on the opposite side to the plunger
Fixing	With stainless steel bracket
Adjustment	Plunger with adjustable spring
Self-levelling	Yes
Seal	Sound insulating seal in TPE patent design for uneven floors
Fire Tested	for 30 minutes to BS EN 1634-1: 2014
Acoustic Tested	up to 43DB to BS EN ISO 10140-2: 2010
In sizes	830mm, 930mm and 1030mm



Concealex Chronoseal

Ref: 1.50.0020

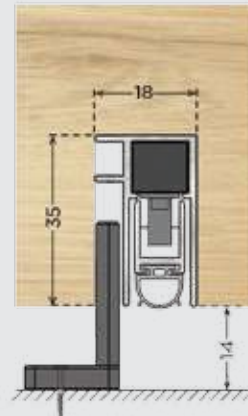
Application	Timber doors and security doors
Maximum drop	12mm
Delayed drop	Delayed hydraulic movement. The seal drops 8 seconds after the door is fully closed to prevent friction with the floor and noise
Trimming lengths	Up to 150mm on the opposite side to the plunger
Fixing	With stainless steel bracket
Adjustment	Nylon Plunger
Self-levelling	Yes
Seal	Sound insulating seal in self-extinguishing silicone
Fire Tested	for 30 minutes to BS EN 1634-1: 2014
Acoustic Tested	up to 43DB to BS EN ISO 10140-2: 2010
In sizes	830mm, 930mm and 1030mm



Concealex Magnetic Pocket Slide

Ref: 1.50.0003

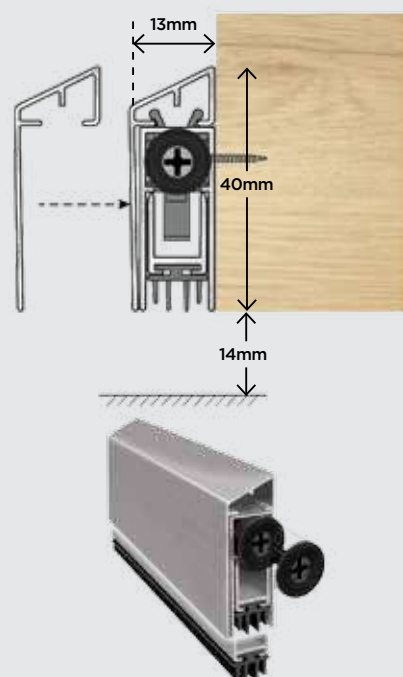
Application	Timber Sliding Doors
Maximum Drop	14mm
Trimming Lengths	Up to 150mm on opposite side to the plunger
Fixing	With screws supplied
Adjustment	Plunger with adjustable spring
Self-levelling	Yes
Seal	Co-extruded tubular seal in self-extinguishing TPE
Supplied with magnetic slide and lock kit complete with endcap	
In sizes	730mm, 830mm and 930mm



Concealex Facefix Dropseal

Ref: 1.50.0010

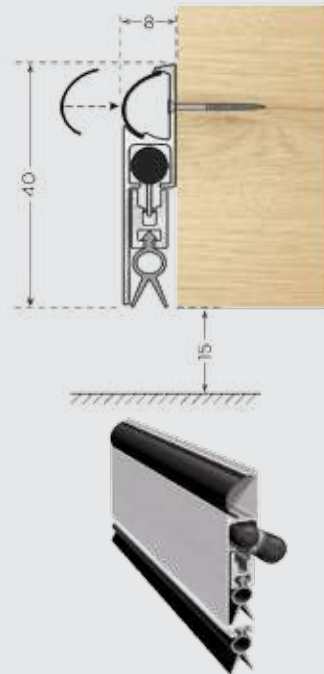
Application	All types of swing doors
Maximum drop	14mm
Trimming lengths	Up to 150mm on the opposite side to the plunger
Fixing	Surface mounted screw fix with aluminium clip on cover with nylon cap
Adjustment	Plunger adjustable with a 3mm Allen Key
Self-levelling	Yes
Seal	Self-extinguishing co-extruded thermoplastic
Fire Tested	for 30 & 60 minutes to BS 476: Part 22
Smoke Tested	to BS EN 1634-3: 2001
Acoustic Tested	up to 43DB to BS EN ISO 10140-2:2010
Available in	SAA
In sizes	730mm, 830mm, 930mm and 1030mm



Concealex Slimline Facefix

Ref: 1.50.0008

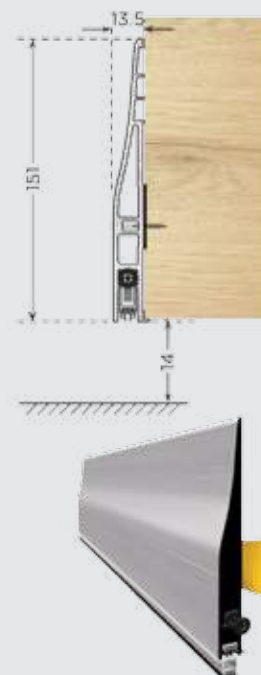
Application	All types of swing doors
Maximum Drop	15mm
Trimming Lengths	Up to 100mm on the opposite side to the plunger
Fixing	Surface mounted screw fix with PVC Clip On Cover
Adjustment	Standard Phillips Screwdriver
Self-levelling	Yes
Seal	Silicone Rubber
Available in	SAA
In sizes	830mm, 930mm and 1030mm



Concealex Commercial Facefix

Ref: 1.50.0009

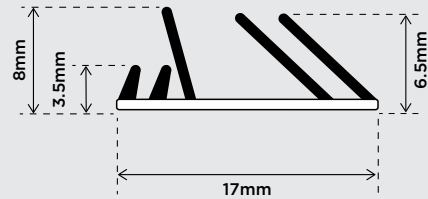
Application	All types of swing doors
Maximum Drop	14mm
Trimming Lengths	Up to 115mm on the opposite side to the plunger
Fixing	With high strength Double Sided Tape or with screws (not supplied)
Adjustment	Plunger adjustable with 3mm Allen Key
Self-levelling	Yes
Seal	Self-extinguishing co-extruded thermoplastic
Available in	SAA
In sizes	830mm, 930mm and 1030mm



Twin Flipper (Pushfit)

Ref: 1.10.0510

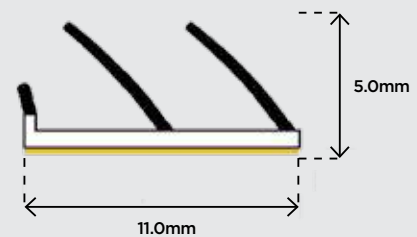
Application	All types of timber doors
Material	Co-extruded rigid base with flexible blades
Fixing	Pushfit into a 3mm machined groove
Acoustic Tested	up to 44DB to BS EN ISO 10140-2:2010
Smoke Tested	to BS EN 1634-3: 2004
Available in	White, Brown, Black
In sizes	2.1m & 3m



Twin Flipper (Self Adhesive)

Ref: 1.10.0500

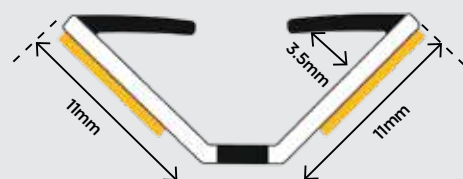
Application	All types of timber doors
Material	Co-extruded rigid base with flexible blades
Fixing	Self-adhesive tape
Acoustic Tested	up to 44DB to BS EN ISO 10140-2:2010
Smoke Tested	to BS EN 1634-3: 2004
Available in	White, Brown, Black, Grey, Cream
In sizes	2.1m & 3m



V Flap Elite

Ref: 1.10.0515

Application	All types of timber doors
Material	Co-extruded with flexible blades
Fixing	Self-adhesive tape
Acoustic Tested	up to 43DB to BS EN ISO 10140-2:2010
Smoke Tested	to BS EN 1634-3: 2004
Available in	White, Brown, Black
In sizes	2.1m & 3m



Brochure Range

- _ Capex & Cresfinex
- _ Fire Protection
- _ Joinery Seals & Glazing
- _ Weatherbars, Door Surrounds & DIY Products

Exitex Limited

Dundalk, Ireland,
A91 HK29

+353 42 937 1244

info@exitex.com

exitex.com

exitexTM