

AB33 SERIES

Contract Din Standard Cylinder Lock Range - Single Throw

SPECIFICATIONS

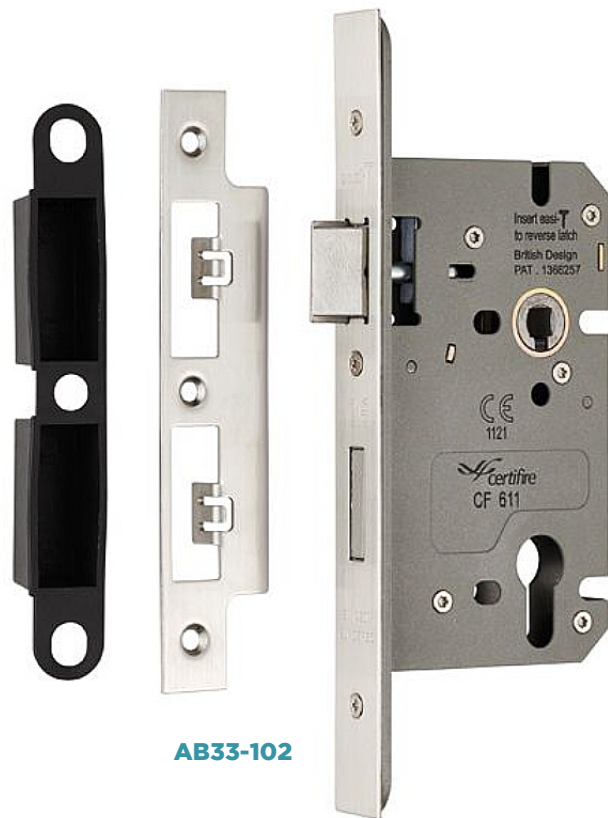
- UKCA marked
- Certifire approved (CF611)
- Meets the recommendations of BS8300
- Fire tested to EN 1634-1 for use on FD30/60 timber doors
- Two-piece forend and strike plate pack
- 60mm backset and 72mm centres
- Quick reverse latch function
- 20mm single throw deadbolt
- Escape sashlock supplied with split spindle
- Nightlatch case with anti-thrust snib
- Supplied with plastic dust strike plate box
- Heavy sprung latch
- Available with square or radius forend and strike

PRODUCT CODES

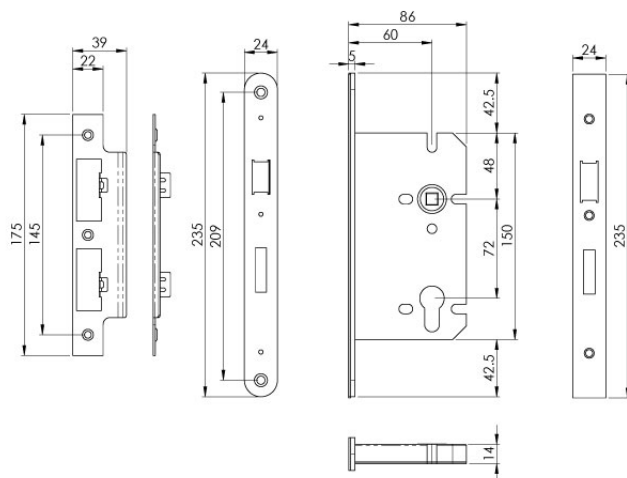
- AB33-102** Euro Sashlock Case
- AB33-102** Euro Deadlock Case
- AB33-103** Bathroom Lock Case
- AB33-104** Latch Case
- AB33-105** Nightlatch Case
- AB33-106** Euro Escape Sashlock Case
- AB33-INT** Intumescent Lock Pack
- AB33-REB** 13mm Rebate Set

FINISHES

- SSS** Satin Stainless Steel
- PSS** Polished Stainless Steel
- AB** Antique Brass
- SB** Satin Brass
- MBRZ** Matt Bronze
- MB** Matt Black



AB33-102



EDUCATION



COMMERCIAL



INDUSTRIAL



GRADE 430



FD30/60



10 GUARANTEE



BS8300



APPROVED PRODUCT