

EXTREME PERFORMANCE HINGES



AVAILABLE FINISHES:



BZP



EB



PC



SZP



Certified to British Standard
KM 82991



Suitable for 30 + 60 Minute
Fire Doors



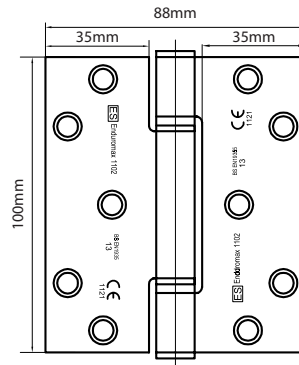
H3N1102/13

100x88x3mm Triple Knuckle Hinge (Square)

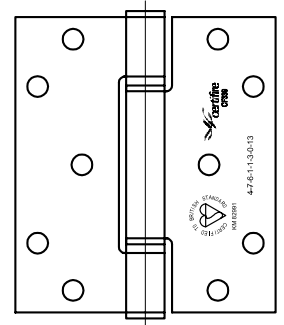
Grade 13



4 7 6 1 1 3 0 13



ENDUROMAX



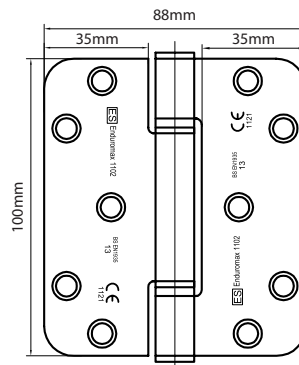
H3N1102/13/R

100x88x3mm Triple Knuckle Hinge (Radius)

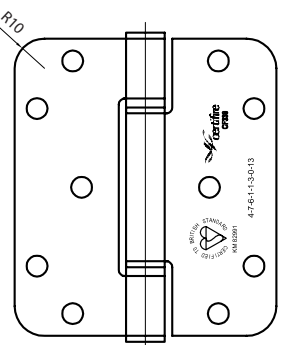
Grade 13



4 7 6 1 1 3 0 13



ENDUROMAX



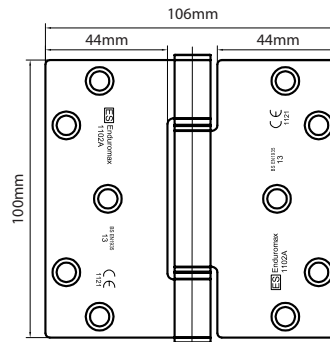
H3N1102A/13

100x106x3mm Triple Knuckle Projection Hinge (Square)

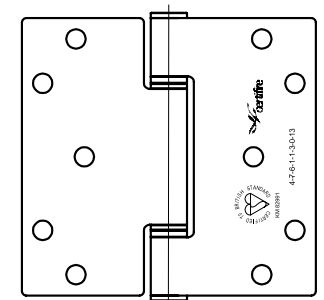
Grade 13



4 7 6 1 1 3 0 13



ENDUROMAX



Certifire Approved
CF339



BS EN 1935



Supplied in Pairs Complete
with Fixing Screws

Guaranteed for
25 years



CE Approved CE1121



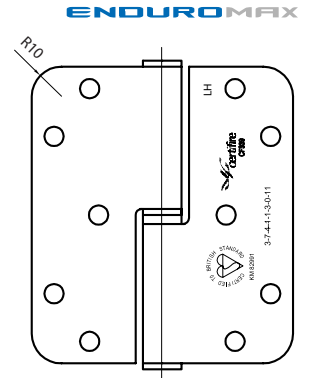
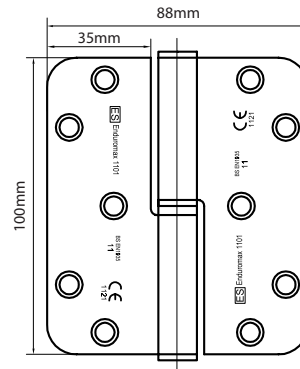
Maintenance Free

H3N1101/11/R/LEF

100x88x3mm Lift Off (Full Leaf) Hinge (Radius)
Also available in right hand H3N1101/R/RIG
Grade 11



3 7 4 1 1 3 0 11

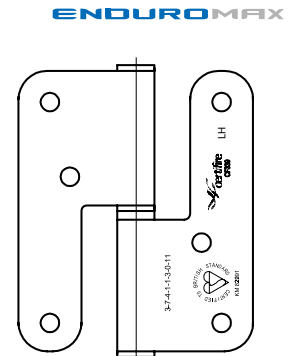
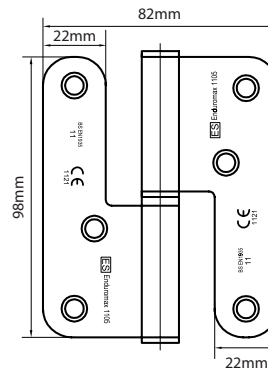


H3N1105/11/R/LEF

98x82x3mm Lift Off (Journal Support) Hinge (Radius)
Also available in right hand H3N1105/R/RIG
Grade 11



3 7 4 1 1 3 0 11

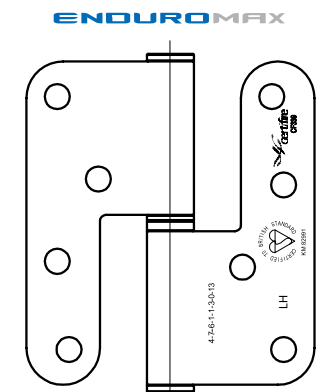
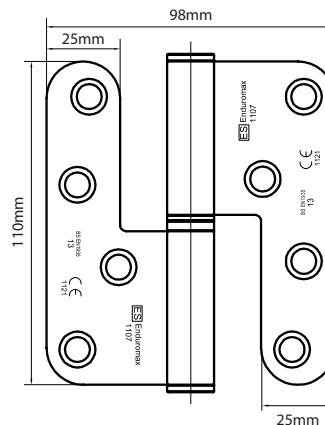


H3N1107/13/R/LEF

110x98x3.5mm Lift Off (Journal Support) Hinge (Radius)
Also available in right hand H3N1107/13/R/RIG
Grade 13



4 7 6 1 1 3 0 13





Units 9 & 10 | Crane Business Estate
Cambridge Road | Milton | Cambridge | CB24 6AZ
Telephone 01223 423 773 | Fax 01223 426 266
Email sales@acornironmongery.com

www.acornironmongery.com

Whilst Acorn Architectural Ironmongery Limited has taken every care to ensure the accuracy of information, data or advice contained in this literature, no liability in respect of such information or advice, whether given negligently or not, can be accepted by the company. Acorn Architectural Ironmongery Limited retains the right to amend the technical specification of any range of equipment shown without notice.
Produced by Refresh Media Design Limited.