





FM 00401



EMS 66705

When specifying a product from Ingersoll Rand Security Technologies you can be assured that an uncompromising attention to detail has been given to every stage of design and manufacture. This ensures that its products and systems meet the highest possible quality and conformity certifications and exceed the requirements of all applicable European Standards.

A global leader in every sense of the word, Ingersoll Rand Security Technologies has an unrivalled track record in satisfying the demands of architects, designers, specifiers and building contractors throughout the world.

Ingersoll Rand Security Technologies manufactures a portfolio of market leading products, including Briton, the UK's number one brand of door controls. The Briton name is synonymous with high quality design, reliability and durability and is at the forefront of supplying products that meet the new European CPD requirements, such as one of the first ranges of CE marked fire exit hardware and door controls.



Briton

Door hardware and security products

Normbau

Coloured nylon design systems

Randi

Scandinavian stainless steel design systems

CISA

Hotel locking and security systems

In addition, Ingersoll Rand Security Technologies produces a wide selection of contemporary door hardware, including Randi, an architect-designed suite of stainless steel door furniture and bathroom fittings, manufactured at its factory in Denmark.

An extensive series of coloured nylon and stainless steel products are manufactured in the company's German facility under the Normbau brand. The range incorporates lever and pull handles as well as complementary accessories, a comprehensive railing system and products for people with special needs.

Manufactured in Italy and designed to suit even the most demanding professional requirements in the security sector, Ingersoll Rand Security Technologies' CISA range incorporates traditional hardware products, hotel locks and advanced access control systems with 'smart card' .

Briton Specification Series Door Hardware

The Briton Specification Series of door hardware is a high quality, high specification range of lever and pull handle door furniture in marine grade 316 satin stainless steel.

Lever furniture features a unique fixing method which provides a firm, positive and highly durable installation. When combined with designs which meet the requirements of BS 8300, successful fire testing to 2 hour rating and our 10 year warranty, Briton Specification Series hardware is ideally suited to new build or refurb installations which require a classical contemporary appeal.

Briton Specification Series hardware is ideally combined with the following Briton hardware products.



Briton 5500 Series Cylinder Locks

The Briton 5500 Series is a comprehensive range of cylinder mortice locks which is suitable for all high quality applications. Its features include:

- Dimensional co-ordination across the range to DIN 18251
- Conforms to the requirements of EN 12209 and EN 179
- CE marked
- Meets the requirements of BS 8300
- Suitable for bolt through furniture fixings
- Suitable for unsprung lever furniture
- 10 year warranty



Briton 2100 Series Door Controls

The Briton 2100 Series is a highly sophisticated and extensive series of overhead door controls. Features of the Briton 2100 Series include:

- Fully compliant with EN 1154 and tested up to 2 million cycles
- CE marked
- Meets the requirements of BS 8300
- Fully adjustable closers up to power size 6
- Projecting arm and slide track versions
- Electromagnetic hold open versions
- 10 year warranty



Briton 560-570 Series Panic Exit Hardware

The Briton 560-570 Series is comprehensive system of 'Push Bar' and 'Touch Bar' panic exit devices. Features of the Briton 500 Series include:

- Modular system provides a comprehensive package of solutions
- 'Push Bar' and 'Touch Bar' options
- Provides from single latch up to 4 point locking on a single leaf
- Systems can be upgraded at any time to provide additional locking points
- 5 year warranty

Briton Specification Hardware Series

The Briton Specification Series of hardware features a comprehensive range of rose and plate mounted round bar lever furniture. This ageless lever design is enhanced by a unique fixing system and 'ClickFit' rose and backplate covers.

Lever variants are available in 2 sizes, 20mm and 22mm diameter in "return to door" styling (see BS 8300 below and on page 8) and are supplied as a pair fixed back to back through the lockcase. For half set applications suitable spindle and fixing packs are available.



Briton 4640.22.R.SS return to door lever on rose used in conjunction with 4020.5.SS euro profile cylinder escutcheon with a Briton 5520 sashlock (see Briton Cylinder Lockcases brochure).

Torx head back to back fixing bolts are guided by the fixing plugs into the threaded bush of the opposite rose or plate inner

Spindle is captive on the outside handle and fixed by "break thru" grub screws providing greater security and improved appearance

Unique fixing method uses fixing plugs which link the roses on each side of the door providing easier installation and a firm, positive location

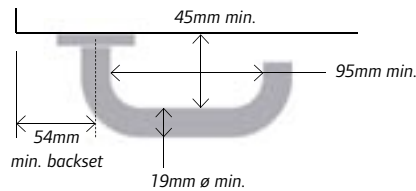
Marine grade 316 stainless steel provides an unrivalled level of corrosion resistance and a consistently high level of finish

Precision engineered levers are available in two diameters and are prefixed to the rose or plate inner by hi-tensile clip fixing

Unique 'ClickFit' system provides a positive snap fit for the pressed rose and backplate covers



BS 8300, Approved Document M and DDA



For door hardware, the drive to enable universal access to public and commercial buildings under the obligations of the Disability Discrimination Act (DDA) is focused on the guidance provided by Approved Document M (ADM) and BS 8300.

The guidance in ADM calls for door operating furniture which "...can be operated with one hand using a closed fist, e.g a lever handle.

The guidance in BS 8300 is more specific and prescribes various dimensional requirements which are outlined on page 8.

For further information a detailed Design Guide is available from Ingersoll Rand Security Technologies

The visual clarity of the Briton Series is enhanced by a solid and reliable 'Triple Strength' fixing system.

- Lever prefixed to rose or plate inner
- Roses or plates fixed back to back using Guide-plug system
- Spindle is pierced by "break thru" grub screw

See page 8 for further details.

Briton Specification Series

Below, rose mounted Briton 4640.20.R.SS return to door lever used with 4020.5.SS euro profile escutcheon.



Backplates are available for all standard lock functions including bathroom function. Versions are available to suit European lock centres of 72mm (78mm bathroom function) and UK lock centres of 57mm.

Each backplate is supplied as a lever set with the required lever prefixed to the backplate inner. Bolt through fixings are supplied with the fixings concealed by the unique 'ClickFit' cover.

Please refer to the product selector on page 4

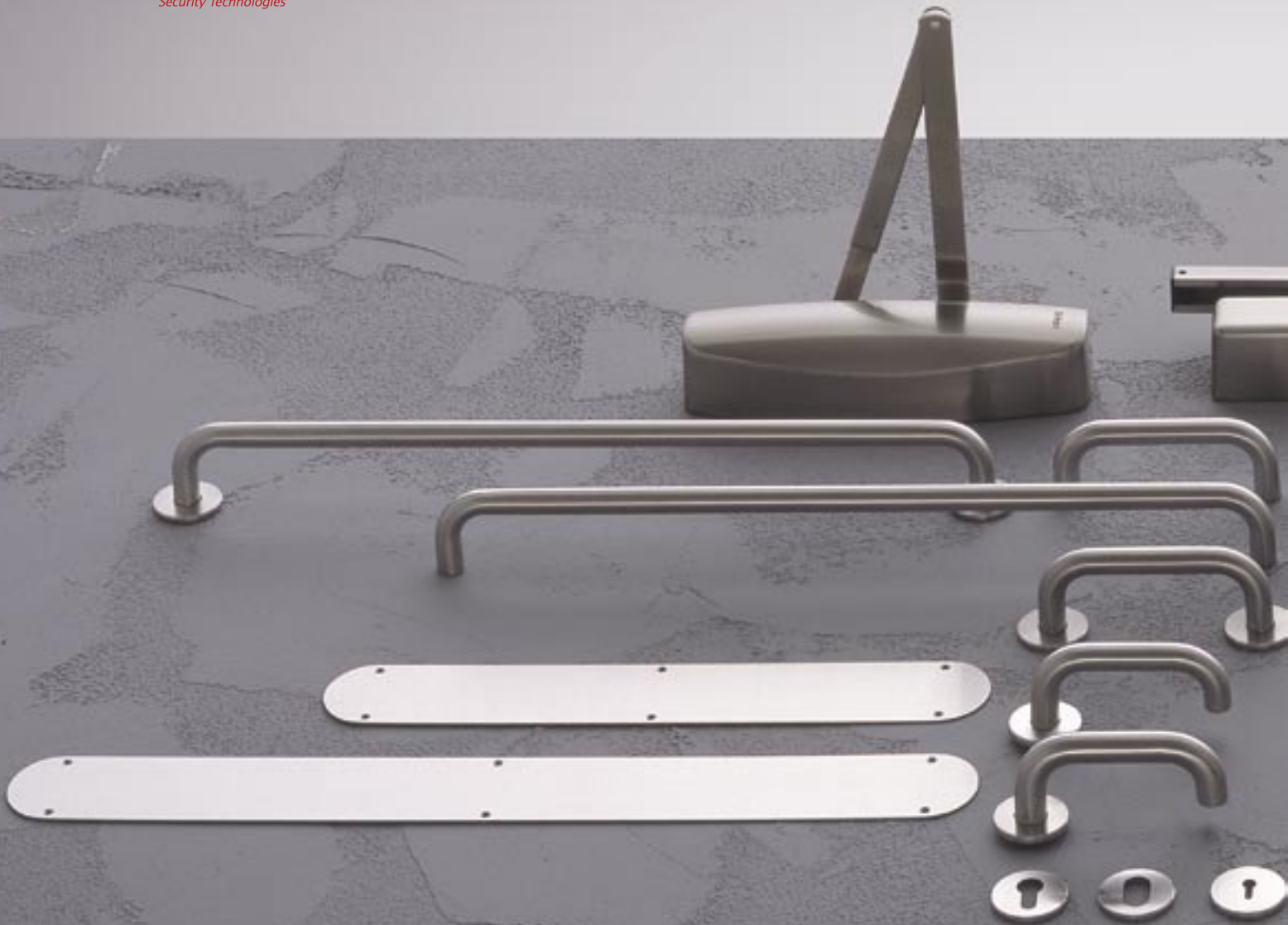


Left, Briton 4635.20.B.SS bathroom turn assembly used with Briton 5530.60.R.SS lockcase



For bathroom lock functions two turn & indicator sets are available. The standard turn is suitable for most applications but where additional leverage is required for special needs applications, the Briton 4035.5.SS large turn is recommended.

Escutcheons are available to suit all standard lock functions. All fixings are concealed by the 'ClickFit' press on covers.



Lever sets



rose mounted



Escutcheons

	20Ø	4640.20.R.SS
	22Ø	4640.22.R.SS

Blank	4040.5.SS
Lever key	4010.5.SS
Euro profile cylinder	4020.5.SS
Oval profile cylinder	4050.5.SS
Bath. turn & release (std)	4030.5.SS
Bath. turn & release (lge)	4035.5.SS

Lever sets



latch plate
n/a



lever key
57mm



euro cyl.
72mm



euro cyl.
57mm



oval cyl.
56mm



bathroom
78mm



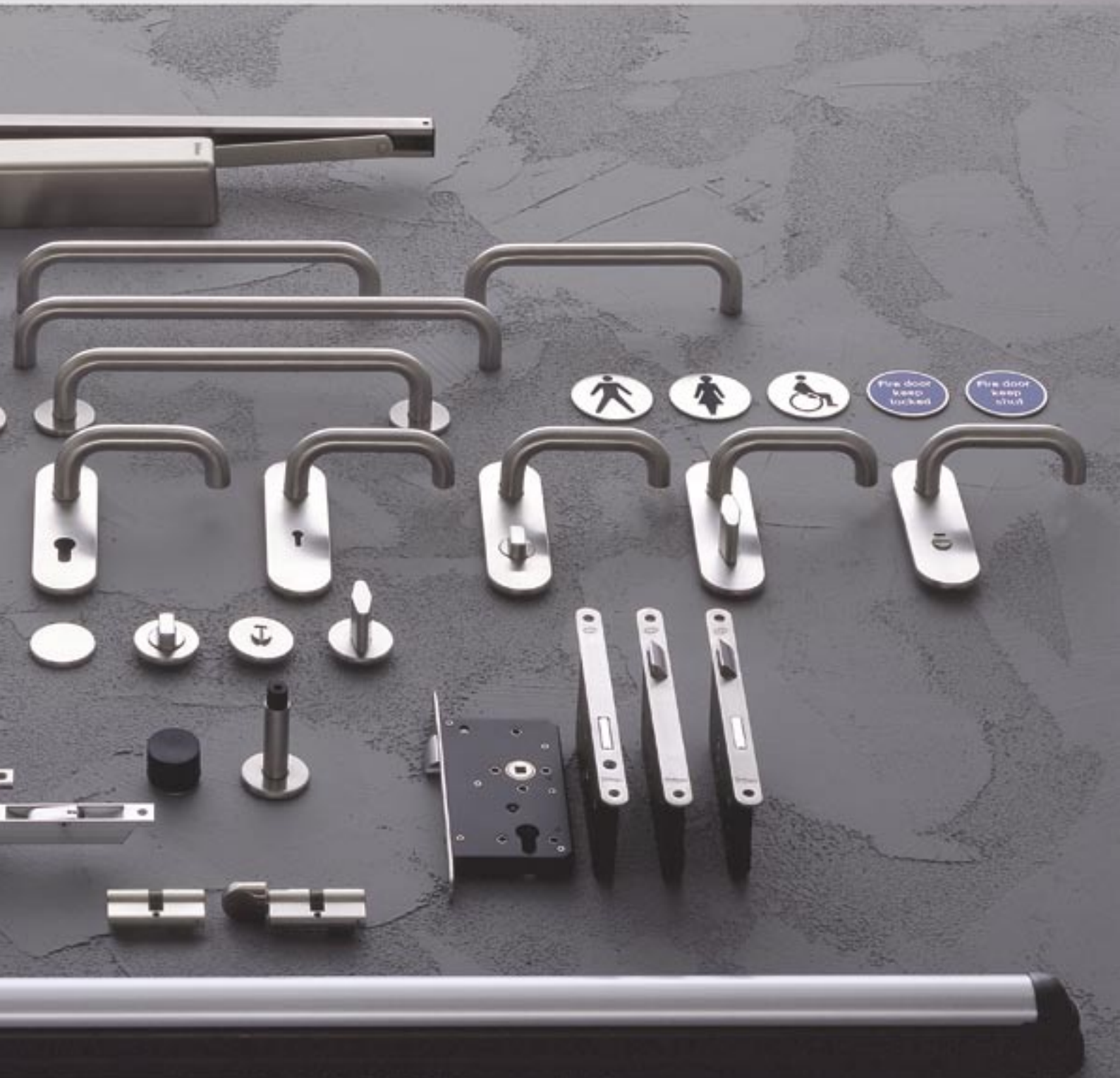
bathroom
57mm



bath. large
78mm

	lock centres	20Ø	4640.20.B	4610.20.B.57	4620.20.B.72	4620.20.B.57	4650.20.B.56	4630.20.B.78	4630.20.B.57	4635.20.B.78
		22Ø	4640.22.B	4610.22.B.57	4620.22.B.72	4620.22.B.57	4650.22.B.56	4630.22.B.78	4630.22.B.57	4635.22.B.78

Briton Specification Series





The Briton Specification Series includes a wide range of pull handle variants to complement the lever handle range. Pull handles of 400mm and 600mm centres conform to the requirements of BS 8300 and are available as either

- Individual bolt through fixing
- Back to back fixing as a pair
- Face fixed with mounting rose

Each pull handle variant is supplied complete with the appropriate fixing pack.

bolt through

centres	20mmØ	22mmØ
150mm	4600.20.150.1	4600.22.150.1
225mm	4600.20.225.1	4600.22.225.1
300mm	4600.20.300.1	4600.22.300.1
400mm	4600.20.400.1	4600.22.400.1
600mm	4600.20.600.1	4600.22.600.1

back to back

centres	20mmØ	22mmØ
150mm	4600.20.150.2	4600.22.150.2
225mm	4600.20.225.2	4600.22.225.2
300mm	4600.20.300.2	4600.22.300.2
400mm	4600.20.400.2	4600.22.400.2
600mm	4600.20.600.2	4600.22.600.2

concealed face fixed

centres	20mmØ	22mmØ
150mm	4600.20.150.3	4600.22.150.3
225mm	4600.20.225.3	4600.22.225.3
300mm	4600.20.300.3	4600.22.300.3
400mm	4600.20.400.3	4600.22.400.3
600mm	4600.20.600.3	4600.22.600.3

Single bolt through pull handles can be used with a push plate mounted on the reverse side of the door which conceals the bolt through fixings.



Briton Specification pull handles are suitable for mounting on timber, metal or glass doors. For detailed fixing information and door thicknesses please refer to page 8.

Face fixed pull handles have slimline "ClickFit" roses which conceal the fixings.

push plates

length	radiused end	square end
300mm	4080.300	4081.300
375mm	4080.375	4081.375
475mm	4080.475	4081.475
675mm	4080.675	4081.675

all plates are 75mm wide

Briton Specification Series

The Briton Specification Series includes a number of accessories which form part of an integrated specification, ensuring the design and finish are fully compatible.



symbols 70mmØ

4000.1	Male symbol
4000.2	Female symbol
4000.3	Disabled symbol
4000.4	Unisex symbol
4000.5	Fire Door Keep Shut symbol
4000.6	Fire Door Keep Locked symbol
4000.7	Baby Change symbol

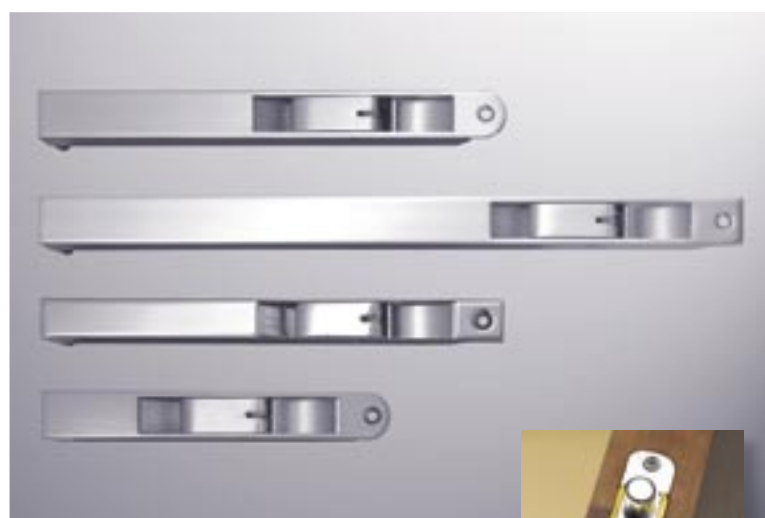
All symbols are 2mm thick stainless steel with a self adhesive backing.



door stops

4070	Floor mounted 50mm Ø x 35mm
4071.75*	Wall mounted 52mmØ x 80mm

* supplied with "ClickFit" rose



flush bolts in Normbau colours

length	radiused end	square end
150mm	4751R.20.150.xx	4751S.20.150.xx
200mm	4751R.20.200.xx	4751S.20.200.xx
225mm	4751R.20.225.xx	4751S.20.225.xx
300mm	4751R.20.300.xx	4751S.20.300.xx

All coloured flush bolts are 20mm wide with a 13mmØ bolt. Replace xx with the Normbau colour reference

sockets for flush bolts - 13mm

item ref	socket type	finish
4737/L/BP	easy clean	brass plated
4737/L/CZSC	easy clean	satin chrome
4738L/PB	dust excluding	polished brass
4738L/SCP	dust excluding	satin chrome



flush bolts in SS finish

length	radiused end	square end
150mm	4751R.18.150.SS	4751S.18.150.SS
225mm	4751R.18.225.SS	4751S.18.225.SS
300mm	4751R.18.300.SS	4751S.18.300.SS

All SS flush bolts are 18mm wide with a 13mmØ bolt.

flush bolts in PA finish

length	radiused end	square end
150mm	4751R.20.150.PA	4751S.20.150.PA
200mm	4751R.20.200.PA	4751S.20.200.PA
300mm	4751R.20.300.PA	4751S.20.300.PA

All flush bolts are 20mm wide with a 13mmØ bolt.

flush bolts in ESS finish

length	radiused end	square end
150mm	4751R.20.150.ESS	4751S.20.150.ESS
200mm	4751R.20.200.ESS	4751S.20.200.ESS
300mm	4751R.20.300.ESS	4751S.20.300.ESS

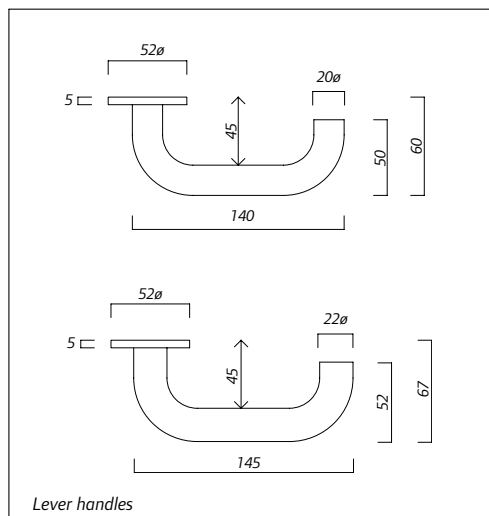
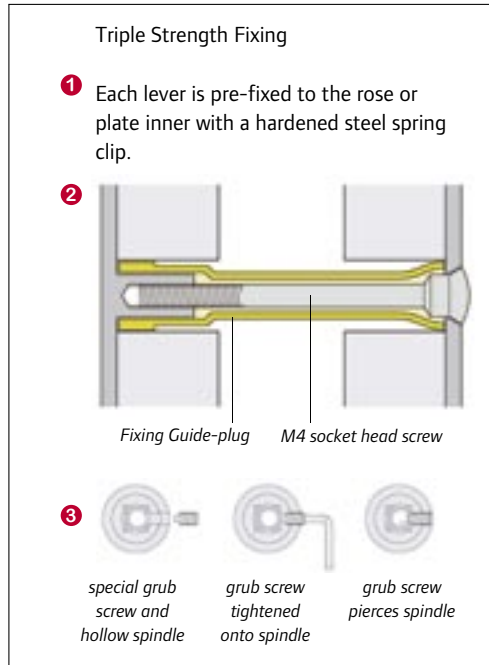
All flush bolts are 20mm wide with a 13mmØ bolt.

flush bolts in EPS finish

length	radiused end	square end
150mm	4751R.20.150.EPS	4751S.20.150.EPS
200mm	4751R.20.200.EPS	4751S.20.200.EPS
300mm	4751R.20.300.EPS	4751S.20.300.EPS

All flush bolts are 20mm wide with a 13mmØ bolt.

SS finish - Solid satin stainless steel
 PA finish - Polished aluminium
 ESS finish - Electro satin stainless on aluminium
 PSS finish - Electro polished stainless on aluminium



Performance Testing - EN 1906:2002

All Briton Specification Series lever handle assemblies have been thoroughly tested to the latest performance criteria of EN 1906:2002. Lever on rose and lever on plate assemblies have been tested to grade 7 durability and grade 4 category of use, the highest grades available. In addition, lever/rose and lever/plate assemblies are fire rated for use on timber doors up to 2 hours and on steel doors up to 4 hours.

Door Thickness

Lever handle assemblies are supplied with an 8mm spindle and bolt through fixings suitable for doors from 38mm to 54mm thick. For doors outside these parameters please specify the door thickness when ordering.

Bathroom turn and indicator sets are supplied with a 5mm spindle and 8mm adapter making them suitable for most common lock cases with 5mm bathroom function followers and for use with the Briton 5500 and 5400 Series European lock cases.

BS 8300:2001

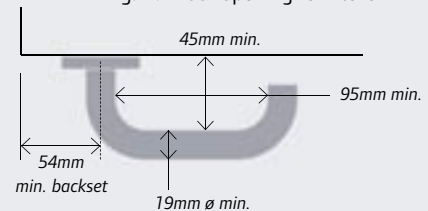
Design of Buildings and Their Approaches to Meet the needs of Disabled People : Code of Practice

Lever furniture

The principle components of the Briton Specification Series are fully compatible with the guidance contained in BS 8300:2001 and as a consequence they will contribute to meeting obligations under the Disability Discrimination Act (DDA).

The following extracts from BS 8300 illustrate the dimensional recommendations for lever handles.

Fig. 17 Door opening furniture

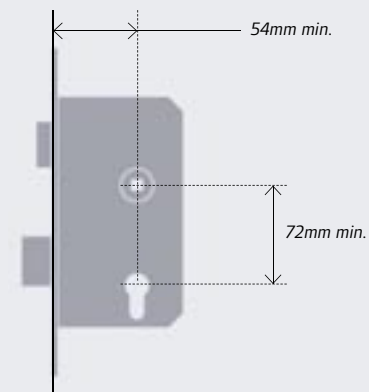


Please note, use of the Briton Specification Series hardware will satisfy the requirements of backset and cylinder centres when used in conjunction with Briton 5500 & 5400 Series European lockcases.

Locks & Latches

The recommendations within BS 8300 are that to ensure people with impaired vision and/or dexterity have unobstructed use of the lock, lever handles should be used with

- Upright mortice locks & latches
- Cylinder should be either above the lever or at least 72mm below it
- Locks must have a minimum backset of 54mm



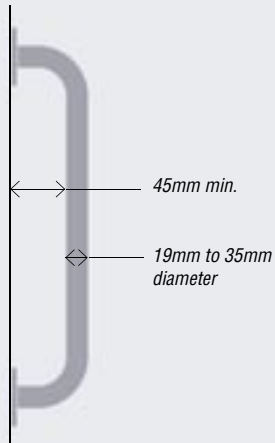
Further information on BS8300 can be obtained from:
BSI Customer Services
389 Chiswick High Road, London W4 4AL
tel +44 (020) 8996 9001
email cservices@bsi-global.com

BS 8300

Pull handles

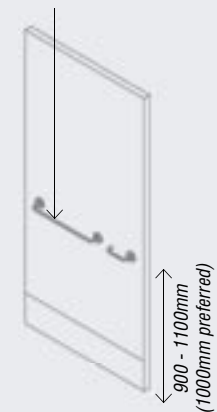
As with lever operating furniture, BS 8300 includes specific guidance in the design criteria for pull handles, including dimensions and fixing positions. The following extracts from BS 8300 illustrate the dimensional recommendations for pull handles.

Fig. 17 Door opening furniture

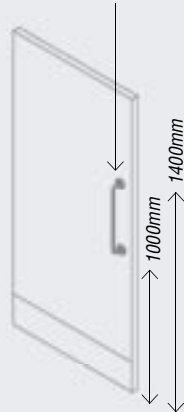


Additional guidance recommends the use of a horizontal rail on doors with lever handles to help those in a wheelchair to close the door behind them.

horizontal rail or pull handle

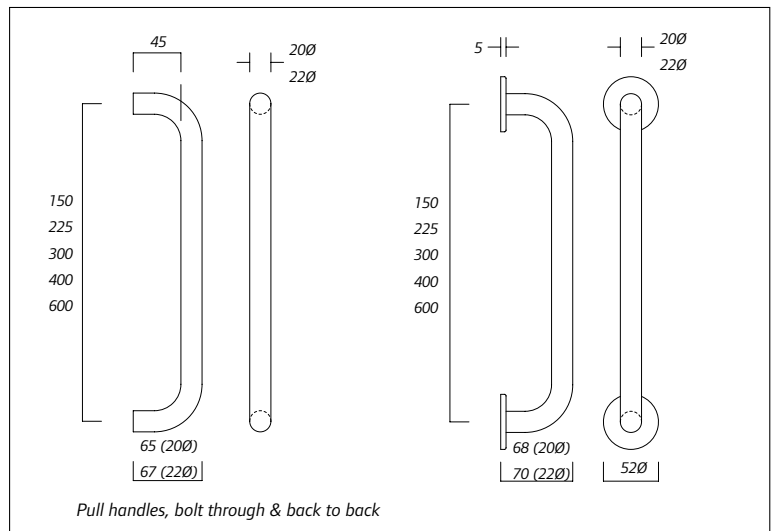
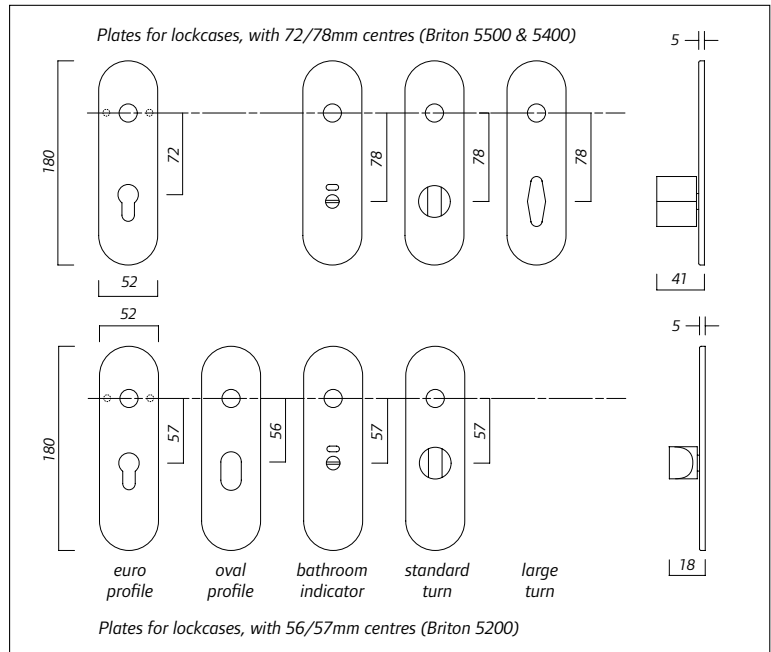


vertical pull handle



Finishes & visual contrast

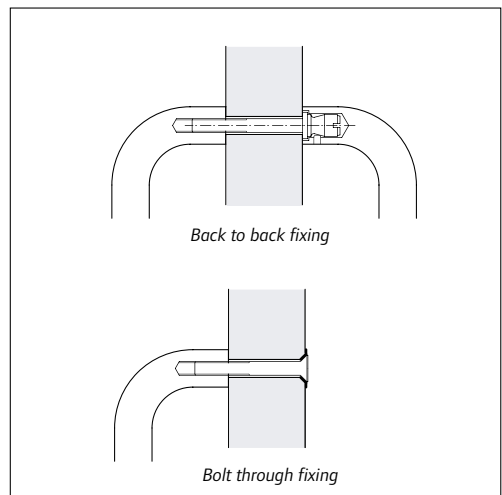
For people with a visual impairment there must be an adequate level of contrast between the hardware and the door in order for the hardware to be located readily. In view of the large variations that exist in door finishes and other external influences such as the presence of natural or artificial light and the colour of surrounding walls, there is no definitive recommendation. What is clear from research is that a minimum of 30 points of difference is recommended (where black typically has a light reflectance value of less than 10 and white is typically 90 or more).



Pull handle fixings

All bolt through and back to back pull handles are supplied with fixings for timber and metal doors from 35 to 54mm thick.

Fixings for glass doors up to 12mm thick are supplied with standard back to back pull handles. A special glass door fixing pack for bolt through pull handles is available on request.





55 Clifton Road • Cambridge CB1 7EF

Telephone 01223 414121 • **Fax** 01223 411002 • **Email** sales@acornironmongery.com

Website www.acornironmongery.com

Whilst Acorn Architectural Ironmongery Limited has taken every care to ensure the accuracy of information, data or advice contained in this literature, no liability in respect of such information or advice, whether given negligently or not, can be accepted by the company. Acorn Architectural Ironmongery Limited retains the right to amend the technical specification of any range of equipment shown without notice.

Produced by Refresh Media Design Limited.