

# Briton

*2820 Series Floor Springs*



## Briton 2820 Series Floor Springs

The Briton 2820 Series floor springs are designed for high traffic single and double action doors. They are ideally suited to:

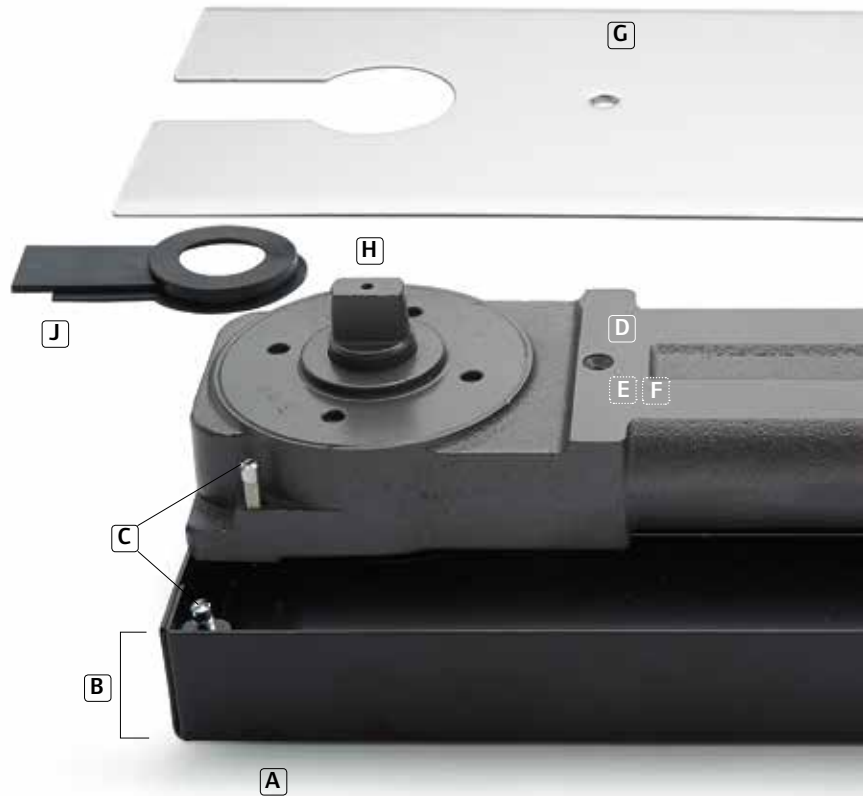
- Timber, metal and tempered glass doors
- Areas where a discreet, high quality aesthetic is required
- Areas where a surface closer may be subject to abuse
- Applications where floor depth is limited

### Performance

Briton 2820 Series floor springs are fixed power units, fully tested to EN 1154 and CE marked. Mounted within a low profile cement box, the Briton 2820 Series floor springs are suitable for single and double action doors with a maximum opening angle of 130° and with optional hold-open facility.

### Features & Benefits

- A** Corrosion resistant galvanised steel, zinc coated and powder coated steel cement box
- B** Low profile cement box - only 40mm deep  
Closer mechanism adjustment within the cement box for height 4mm, length 7mm and width 10mm.
- C** Full adjustment within the cement box for height and lateral positioning for perfect door alignment
- D** High grade cast iron floor spring body
- E** Heat treated high alloy steel mechanism with ball bearing race for optimum efficiency
- F** High quality hydraulic fluid with built-in temperature compensation ensures reliable performance in temperatures from -15°C to +40°C without the need for seasonal adjustments
- G** Stainless steel cover plate available in satin or polished finish
- H** Hardened steel spindle
- I** Easy access to floor spring adjustments for closing speed and latch action. Adjusters cannot be backed out of the closer body
- J** Spindle cover



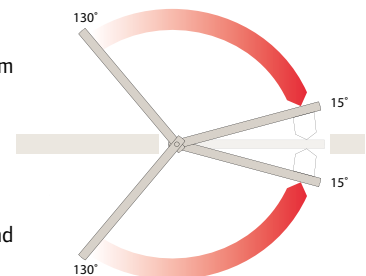
| Application | Floor spring ref | Closing force max. | Max. door width |
|-------------|------------------|--------------------|-----------------|
| Light duty  | 2822             | <18Nm              | 850mm           |
| Med. duty   | 2823             | <26Nm              | 950mm           |
| Heavy duty  | 2824             | <37Nm              | 1100mm          |

### Adjustable Closing Speed

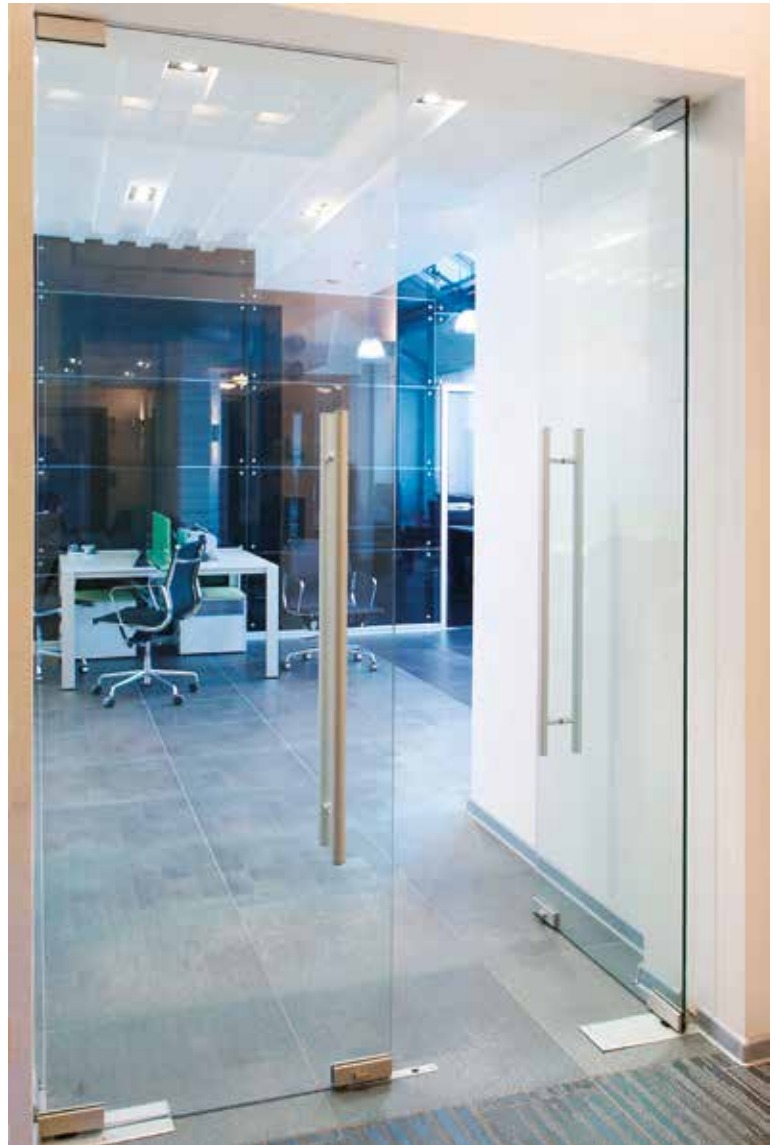
Fully adjustable for closing speed from 130° to 15°

### Adjustable Latch Action

The speed of closing in the last 15° can be adjusted to overcome seals and latches



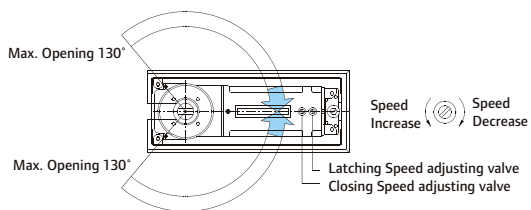
# Briton 2820 Series Floorsprings



## Adjustment and Alignment

With the cover of the floor spring removed, the floor spring can be adjusted within the cement box laterally and for height, by screw adjusters to give perfect door alignment.

Adjustments for closing speed and latching action are accessed from the top face of the floor spring body.



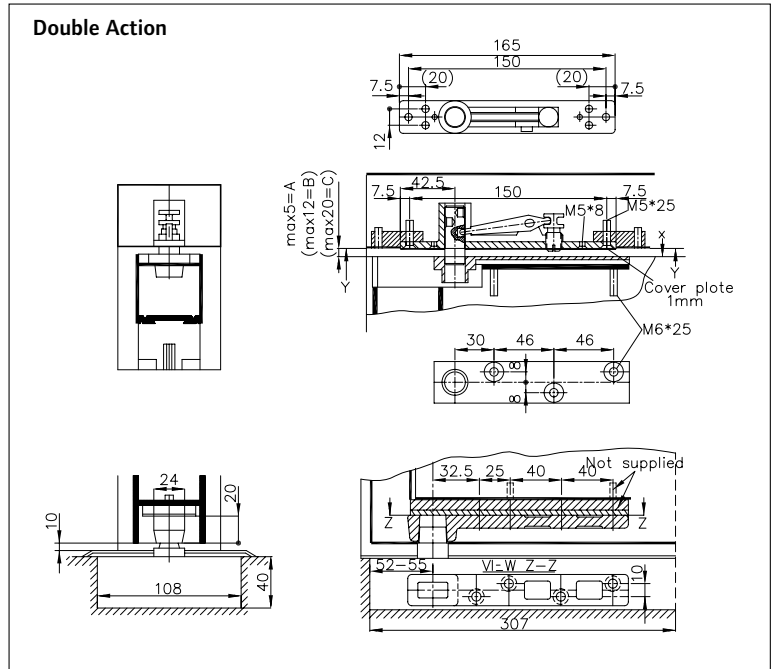
# Briton Accessories & Fittings

## Double Action - Briton 2820 DAP

Two part top pivot accessory with lateral adjustment screw accessed from the edge of door.

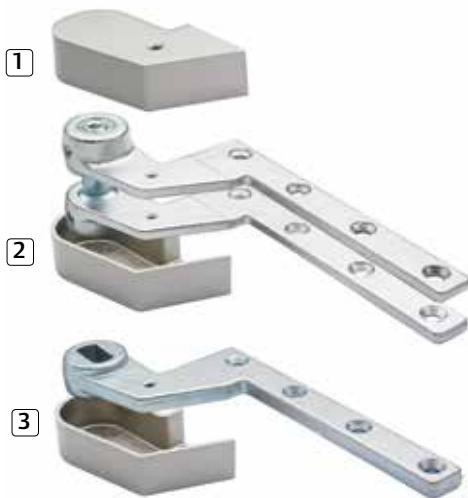


Bottom strap for double action doors.



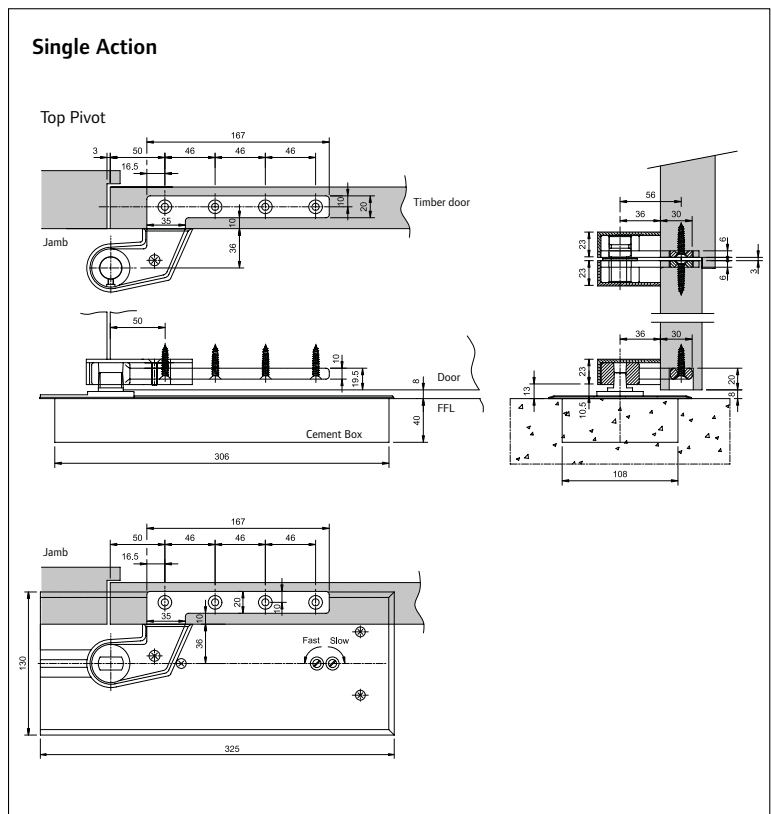
## Single Action - Briton 2820 SAP

Two part top pivot accessory with cover caps. This assembly is reversible for left or right hand doors.

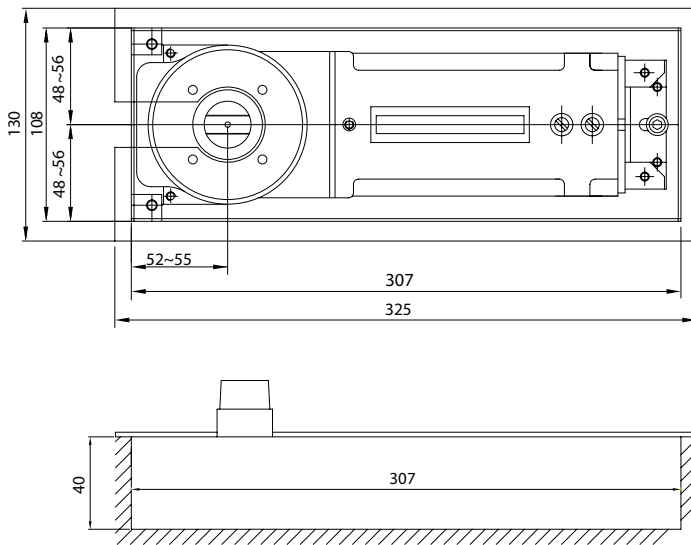


Bottom strap with cover cap for single action doors. This item is supplied with dual caps, making the product suitable for left or right hand doors.

For additional floor spring accessories please contact customer care on 08706 012012.



| Product code:  | Description   |
|----------------|---|
| 2820 DAP       | Double action accessory pack  |
| 2820 SAP       | Single action accessory pack  |
| 2820.CP.PS     | Floor spring cover plate in polished stainless steel finish                         |
| 2820.CP.SAP.PS | Cover plates (1, 2 and 3) for single action pack in polished stainless steel finish |



### Principal Features

- CE Marked (except Briton 2822)
- Meet the requirements of EN 1154
- Fixed power versions EN sizes 2, 3 & 4
- Low profile cement box 40mm deep
- Adjustments for door alignment
  - height 4mm
  - length 7mm
  - width 10mm
- Suitable for single or double action doors
- Suitable for doors up to 80kg
- Suitable for glass patch fittings
- Fully adjustable for closing speed from 130° to 15°
- Fully adjustable latch action from 15° to 0°
- Max. angle of opening 130°
- Removable cover plate in stainless steel
- Optional hold open facility at 90° or 105° (specify 2823.SS.HO.90 or 2823.SS.HO.105)
- Max. door width 1100mm (Briton 2824)
- Fire tested to EN 1634 and suitable for use on 1 hour timber fire doors
- Guarantee -10 years (CE marked)
  - 2 years (non CE marked)

### Finishes

Zinc coated cement box for corrosion resistance. Cover plate in satin stainless steel. Polished stainless steel cover is available as an additional accessory (see table opposite).

### Product Selector

| product features                        |                               | product references                       |         |         |               |                |
|---|-------------------------------|--|---------|---------|---------------|----------------|
| power size                              | max. door size width - weight | 2822.SS                                  | 2823.SS | 2824.SS | 2823.SS.HO.90 | 2823.SS.HO.105 |
| 1                                       | 750mm - 20kg                  |  |         |         |               |                |
| 2                                       | 850mm - 40kg                  | ✓  |         |         |               |                |
| 3                                       | 950mm - 60kg                  |  | ✓       |         | ✓             | ✓              |
| 4                                       | 1100mm - 80kg                 |  |         | ✓       |               |                |
| 5                                       | 1250mm - 100kg                |  |         |         |               |                |
| 6                                       | 1400mm - 120kg                |  |         |         |               |                |
| main features                           |                               | 2822.SS                                  | 2823.SS | 2824.SS | 2823.SS.HO.90 | 2823.SS.HO.105 |
| CE marked                               |                               | X  | ✓       | ✓       | X             | X              |
| Conforms to EN 1154                     |                               | ✓  | ✓       | ✓       | ✓             | ✓              |
| Fixed closing power - EN size           |                               | 2  | 3       | 4       | 3             | 3              |
| Suitable for single action doors        |                               | ✓  | ✓       | ✓       | ✓             | ✓              |
| Suitable for double action doors        |                               | ✓  | ✓       | ✓       | ✓             | ✓              |
| Max. angle of opening                   |                               | 130°                                     | 130°    | 130°    | 130°          | 130°           |
| Closing speed adjustment                |                               | ✓  | ✓       | ✓       | ✓             | ✓              |
| Latch action adjustment                 |                               | ✓  | ✓       | ✓       | ✓             | ✓              |
| Mechanical hold-open option             |                               | X  | X       | X       | ✓             | ✓              |
| Low profile cement box                  |                               | ✓  | ✓       | ✓       | ✓             | ✓              |
| Dimensions                              |                               | box 307 x 108 x 40mm - cover 325 x 130mm |         |         |               |                |
| Cover plate in satin stainless steel    |                               | ✓  | ✓       | ✓       | ✓             | ✓              |
| Cover plate in polished stainless steel |                               | option                                   | option  | option  | option        | option         |
| Warranty period                         |                               | 2 yr                                     | 10 yr   | 10 yr   | 10 yr         | 10 yr          |

### Certification

The Briton 2820 Series is type tested and independently certified for conformity to all the requirements of EN 1154. They are CE marked and classified as shown (figures in brackets indicate the range of codings where the higher numbers indicate a higher rating).

#### PLEASE NOTE:

DOOR CLOSERS FITTED WITH MECHANICAL HOLD-OPEN CANNOT BE CE MARKED AND MUST NOT BE USED ON FIRE DOORS

EN classifications (range shown in brackets)  
(3/4) (8) (1-7) (0/1) (1) (0/4)

|      |   |   |   |   |   |   |
|------|---|---|---|---|---|---|
| 2823 | 3 | 8 | 3 | 1 | 1 | 3 |
| 2824 | 3 | 8 | 4 | 1 | 1 | 3 |



*Ingersoll Rand Security Technologies is a leading global provider of products and services that make environments safe, secure and productive. The sector's market-leading products include electronic and biometric access control systems; time & attendance and personnel scheduling systems; mechanical locks and portable security; door controls, exit devices and architectural hardware; performance steel doorsets and automated openings; and other technologies and services for global security markets.*

**Ingersoll Rand Security Technologies**

Bescot Crescent Walsall West Midlands WS1 4DL

Tel. 01922 707400 Customer Care Centre Tel. 08706 012012 Customer Care Centre Fax. 0800 834103

Email [info@ingersollrand.co.uk](mailto:info@ingersollrand.co.uk) Web [ingersollrand.co.uk](http://ingersollrand.co.uk)

*Whilst Ingersoll Rand Security Technologies has taken every care to ensure the accuracy of information, data or advice contained in this literature, no liability in respect of such information or advice, whether given negligently or not, can be accepted by the company. Ingersoll Rand retains the right to amend the technical specification of any range of equipment shown without prior notice.*