



**Cylinder Lockcases**



FM 00401



EMS 66705

When specifying a product from Ingersoll Rand Security Technologies you can be assured that an uncompromising attention to detail has been given to every stage of design and manufacture. This ensures that its products and systems meet the highest possible quality and conformity certifications and exceed the requirements of all applicable European Standards.

A global leader in every sense of the word, Ingersoll Rand Security Technologies has an unrivalled track record in satisfying the demands of architects, designers, specifiers and building contractors throughout the world.

Ingersoll Rand Security Technologies manufactures a portfolio of market leading products, including Briton, the UK's number one brand of door controls. The Briton name is synonymous with high quality design, reliability and durability and is at the forefront of supplying products that meet the new European CPD requirements, such as one of the first ranges of CE marked fire exit hardware and door controls.



## Briton

Door hardware and security products

## Normbau

Coloured nylon design systems

## Randi

Scandinavian stainless steel design systems

## CISA

Hotel locking and security systems

In addition, Ingersoll Rand Security Technologies produces a wide selection of contemporary door hardware, including Randi, an architect-designed suite of stainless steel door furniture and bathroom fittings, manufactured at its factory in Denmark.

An extensive series of coloured nylon and stainless steel products are manufactured in the company's German facility under the Normbau brand. The range incorporates lever and pull handles as well as complementary accessories, a comprehensive railing system and products for people with special needs.

Manufactured in Italy and designed to suit even the most demanding professional requirements in the security sector, Ingersoll Rand Security Technologies' CISA range incorporates traditional hardware products, hotel locks and advanced access control systems with 'smart card' .

# Briton European Commercial Locks

The Briton lock range offers euro profile cylinder mortice lockcases designed specifically to meet the requirements of the European standard EN 12209.

Briton locks are CE marked where appropriate.

For details of lever locks, latches, nightlatches and rim locks please refer to the Legge range.



## Briton 5500 Series Commercial Cylinder Locks

The Briton 5500 Series is a comprehensive range of cylinder mortice lockcases which is suitable for all high quality applications

- Dimensional co-ordination across the range to DIN 18251
- Conforms to the requirements of EN 12209 and EN 179
- CE marked
- Hardened steel drill resistant deadbolt
- Phosphor bronze follower bushes for reduced wear
- Quick reversible latch for easy on-site handing
- Smooth and quiet latch operation
- Single throw cylinder action for convenience
- Suitable for bolt-through furniture fixings
- Suitable for unsprung lever furniture
- Suitable for use on acoustic doors
- Suitable for use on 1/2 hour and 1 hour fire doors
- 10 year guarantee



## Briton 5400 Series Contract Cylinder Locks

The Briton 5400 Series is a comprehensive range of cylinder mortice lockcases which is suitable for all medium to high quality applications

- Dimensional co-ordination across the range to DIN 18251
- Conforms to the requirements of EN 12209
- CE marked
- Suitable for bolt-through furniture fixings
- Suitable for unsprung lever furniture
- Roller bearing follower for smooth action
- Quick reversible latch for easy on-site handing
- Suitable for use on 1/2 hour and 1 hour fire doors
- 5 year guarantee



## Briton 5200 Series UK Commercial Cylinder Locks

The Briton 5200 Series is a comprehensive range of cylinder mortice lockcases which is suitable for all high quality applications

- Dimensional co-ordination across the range
- Conforms to the requirements of EN 12209
- CE marked
- Suitable for bolt-through furniture fixings
- Suitable for unsprung lever furniture
- Incorporates unique spring adjusted follower
- Dual profile to suit euro and oval cylinders
- Twist-and-turn reversible latch for on-site handing
- Suitable for use on 1/2 hour and 1 hour fire doors
- 10 year guarantee

EN 12209 is the European standard for lockcases. Wide ranging in its scope, it prescribes the test methodology, applications and product types for a wide number of physical properties including cycle testing, door size/mass, suitability for use on a fire door, security and corrosion resistance.

EN 179 is the European standard for emergency devices that are suitable for use on escape route doors with one single operation.

Examples of CE Classifications, with definitions shown below

## 1. Category of use

**EN 12209 & EN 179** - Defines the frequency of use  
**Grade 2** - for use by people with some incentive to exercise care but where there is some chance of misuse  
**Grade 3** - high frequency of use by public or others with little incentive to exercise care and with a high chance of misuse.

## 3. Door size/mass

**EN 12209 & EN 179** - The mass of the door that the product can suitably be used on.  
**EN 12209 Grade 8** - door mass up to 200kg; 15N max closing force required  
**EN 179 Grade 6** - door mass up to 200kg

## 5. Safety

Safety category for the product type  
**EN 12209 Grade 0** - where there is no safety requirement  
**EN 179 Grade 1** - satisfies European critical safety requirements for the ability to release locked doors on escape routes

## 7. Security

Security and drill resistance levels are identified  
**EN 12209 Grade 4** - identifies high security with no drill resistance  
**EN 179 Grade 4** - identifies a 3000N loading

## 9. Type of Operation

**EN 12209** - Defines the type of key operation and locking type  
**Grade 0** - not applicable  
**Grade A** - cylinder lock/latch with manual locking  
**Grade C** - cylinder lock/latch with intermediate locking  
**EN 179** - Defines the method of operating the product  
**Grade A** - Emergency device with lever handle operation

## 11. Key Identification Requirement

**EN 12209** - Number of detaining elements and effective differs  
**Grade 0** - indicates no requirement.

## 2. Durability

Performance testing of the product through various cycle tests. Durability and load on latchbolt (LOL) are identified  
**EN 12209** - **Grade H** - 200,000 cycles; 10N (LOL)  
**Grade X** - 200,000 cycles; 120N (LOL)  
**EN 179** - **Grade 7** - 200,000 cycles

## 4. Fire Behaviour

**EN 12209 & EN 179** - Suitability for use on fire/smoke door assemblies having successfully completed a fire test to EN 1634  
**Grade 0** - not approved for fire/smoke doors  
**Grade 1** - suitable for use on fire/smoke doors subject to assessment

## 6. Corrosion Resistance

Level of corrosion resistance to EN 1670 Neutral Salt Spray test and operation of the product at extreme temperatures  
**EN 12209**  
**Grade F** - high corrosion resistance; -20°C to +80°C  
**Grade G** - very high resistance; -20°C to +80°C  
**EN 179 Grade 4** - very high corrosion resistance

## 8. EN 12209 - Field of Door Application

Defines the application the product is suitable for  
**Grade B** - suitable for use on hinged doors in a mortice application and without forend support.

## EN 179 - Projection of Operating Element

Defines the projection of the device from the door face  
**Grade 2** - projection up to 100mm

## 10. Type of Spindle Operation

**EN 12209** - Method of operation and compatible door furniture  
**Grade 0** - lock or latch without follower  
**Grade 2** - lock or latch for unsprung lever handle operation

EN 12209	EN 179
3 1 - 3	3 3
X A - X	7 6 - 7
8 1 - 9	6 5 - 6
1 1	1 0 - 1
0 0	1 1
G 0 - G	4 3 - 4
4 1 - 7	4 2 - 4
B A - T	2 1 - 2
A 0 - H	A A - B
0 0 - 4	
0 0	

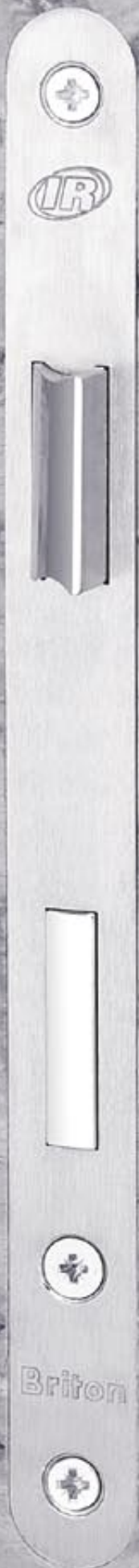
CE classifications for individual Briton locks are shown on the Lockcase Options pages for each range. Briton locks have been independently tested to the relevant European standards. EC Certificates of Conformity are available on request.

For details on how Briton locks meet the requirements of BS 8300:2001 'Design of Buildings and their approaches to meet the needs of disabled people' - please see page 8.

# Briton 5500 Series European Lockcases

The new Briton Commercial range of euro profile cylinder locks incorporates a top specification lockcase, designed to and fully compliant with the European standard EN 12209 and the dimensional criteria of DIN 18251.

Comprising of deadlock, sashlock, bathroom lock, latch, nightlatch and escape sashlock, the European Commercial lock series can be suited with Briton, Normbau and Randi lever furniture and is compatible with most euro profile cylinder ranges. Briton European Commercial cylinder locks come with a full 10 year warranty.



Briton 5510



Briton 5520



Briton 5530



Briton 5540



Briton 5550



Briton 5560

Black powder coated steel case gives exceptional corrosion resistance.

All European Commercial lockcases are modular allowing simplified door preparation and lock interchangeability to suit changes in use.

Grade 316 stainless steel forend provides improved fire resistance. Single piece round ended forend simplifies preparation of doors. Optional square ended forend is also available.

Quick reversible latch for left and right hand applications allowing quick and trouble free on-site handing without the need to dismantle the lockcase.

Profiled latch and forend provides very positive location and a smooth, quiet operation.

Chrome plated steel for corrosion resistance.

Cast follower with phosphor bronze bushes reduces wear of follower during extended use.

Follower suitable for 8mm spindles.

Follower is designed to grip the spindle to eliminate unwanted tolerance between components.

30° follower action for firm positive opening action and with follower springing suitable for high frequency applications.

Positive follower angle (1°) reduces the effect of wear which can lead to lever droop.

Drill resistant heavy duty hardened deadbolt. 22mm throw on a single turn of the cylinder to ensure maximum security every time.

Chrome plated steel for corrosion resistance.

Sashlock has a cylinder to latch function where both latch and deadbolt can be withdrawn by cylinder key or thumbturn.

Fully sleeved bolt through fixing holes to DIN 18251 making the lock compatible with most European hardware ranges. Sleeved holes assist in bolt location, provide added strength to the lockcase and help prevent mechanical failure due to ingress of foreign objects.

Guided cylinder screw accurately aligns the fixing to the cylinder.

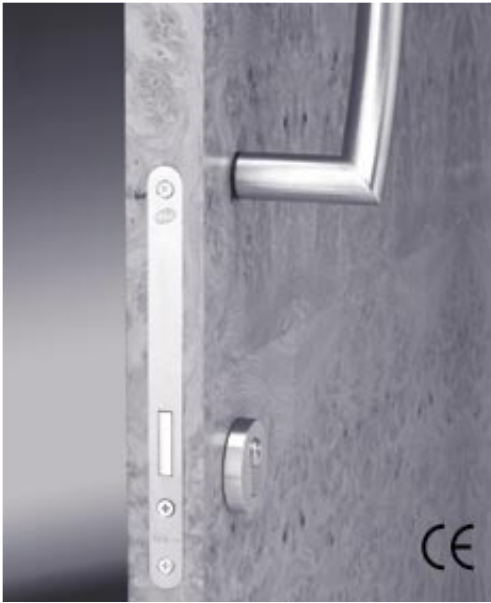
Torx head screws maintain slimline aesthetics



Conforms to European Standards **EN 12209** and **EN 179** and carries the CE mark.

For further information on CE marking and EN classifications, see page 2

# Briton 5500 Series Lockcase Options



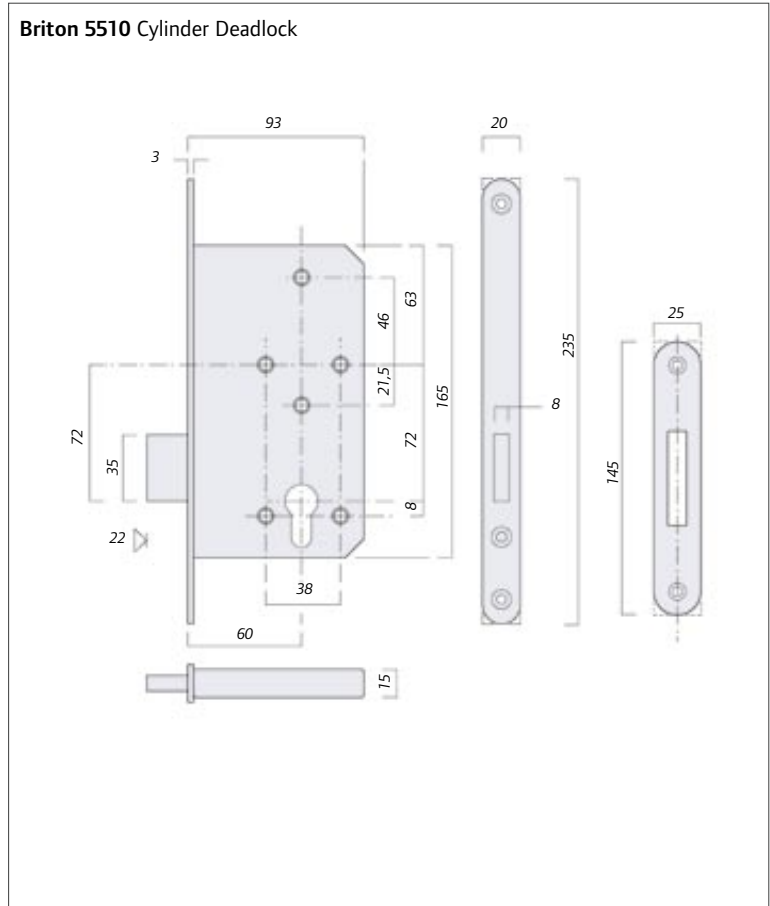
**Briton 5510 Cylinder Deadlock**

*Application*

The deadbolt can be thrown and withdrawn from one side or from both as required depending on the cylinder selected.

**Conforms to:** EN 12209

**Classification:** 3X810G4BA00



**Briton 5520 Cylinder Sashlock**

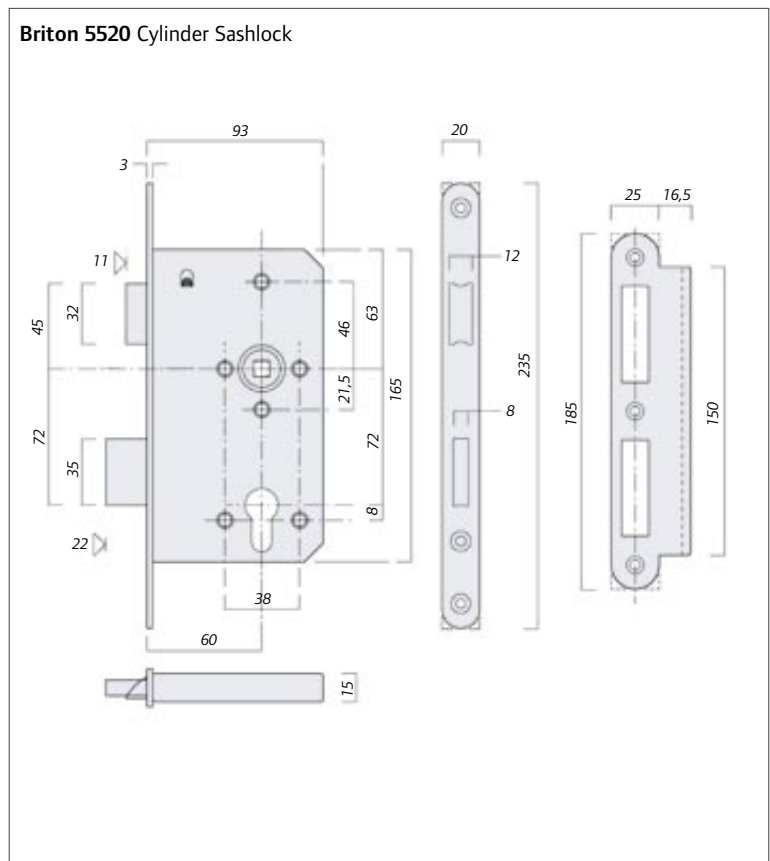
*Application*

The lock can be operated by lever handles to withdraw the latchbolt. The deadbolt can be thrown and withdrawn from one or both sides as required depending on the cylinder selected.

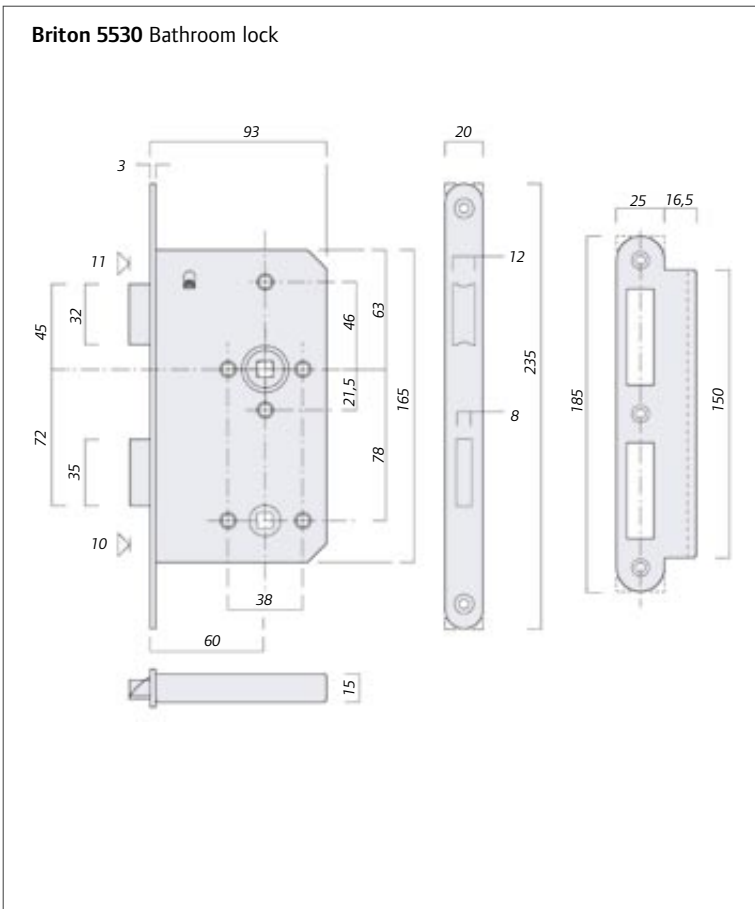
The cylinder to latch function enables the cylinder to withdraw the deadbolt on the first turn of the cylinder and the latchbolt on the second turn.

**Conforms to:** EN 12209

**Classification:** 3X810G4BA20



For further information on CE Marking and EN Classification, see page 2



**Briton 5530 Bathroom lock**

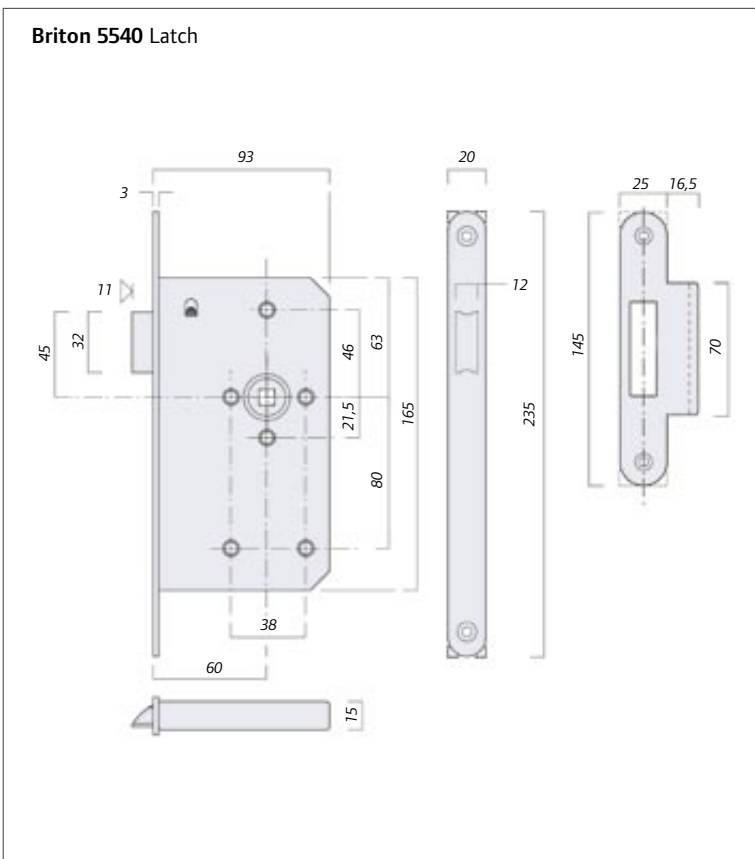
*Application*

The lock can be operated by lever handle to withdraw the latchbolt from both sides.

The 10mm throw deadbolt is operated from inside by a single turn of the thumbturn. The outside of the door can be fitted with an indicator and emergency release and operates in conjunction with the thumbturn via an 8mm spindle.

**Conforms to: EN 12209**

**Classification: 3X800G-B020**



**Briton 5540 Latch**

*Application*

The lock can be operated by lever handle to withdraw the latchbolt from both sides.

**Conforms to: EN 12209**

**Classification: 3X810G-B020**

# Briton 5500 Series Lockcase Options



## Briton 5550 Cylinder Nightlatch

### Application

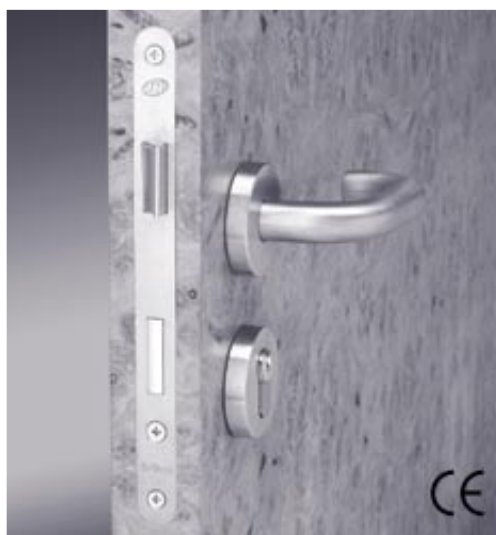
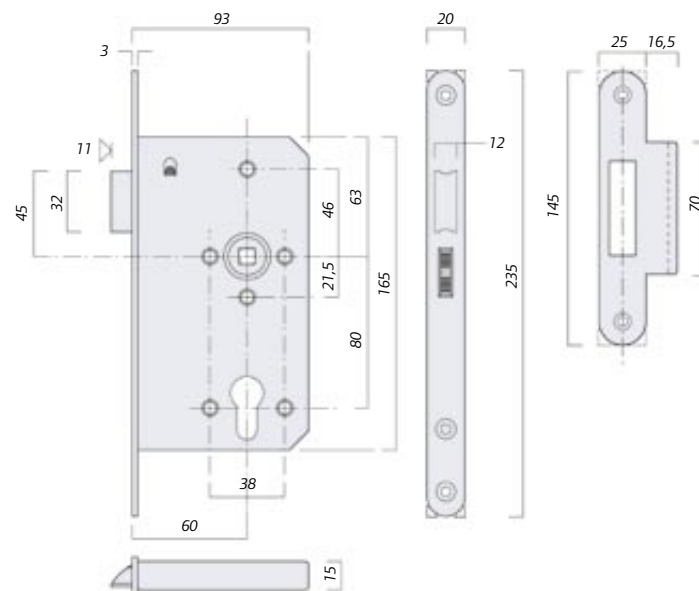
The nightlatch function is operated using a half set of levers, with the lever on the inside used to retract the latchbolt. A single cylinder operates from the outside with a single turn of the key to retract the latchbolt.

A catch operated from the lock forend will hold the latchbolt in the withdrawn position.

**Conforms to:** EN 12209

**Classification:** 3X800G-B020

## Briton 5550 Cylinder Nightlatch



## Briton 5560 Escape Sashlock

### Application

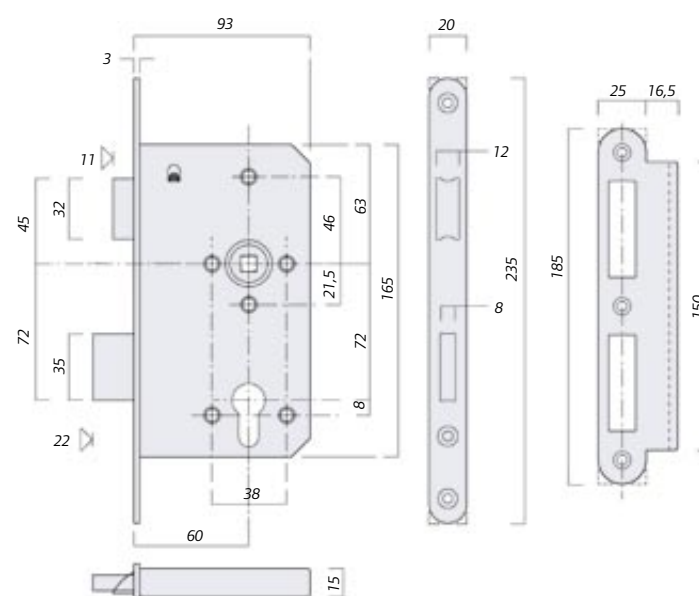
The deadbolt can be thrown and withdrawn from one or both sides depending on the cylinder selected. From inside a half set of levers will withdraw the deadbolt and latchbolt simultaneously. For EN 179 compliance the lock must be fitted with compatible lever furniture (see page 18 for compatible furniture).

The cylinder to latch function enables the cylinder to withdraw the deadbolt on the first turn of the cylinder and the latchbolt on the second turn.

**Conforms to:** EN 12209 - **Classification:** 3X810G4BA20

**Conforms to:** EN 179 - **Classification:** 37611442A

## Briton 5560 Escape Sashlock



**Note: The lock does not incorporate a split follower function. It should not be used with an external handle or with an internal cylinder thumbturn.**

For further information on CE Marking and EN Classification, see page 2



The DDA is civil rights legislation and therefore has the force of law throughout the UK. Part III, in particular, provides legal recourse to challenge discrimination related to service provision which includes the ability to access and use buildings and their facilities.

As with all parts of The Building Regulations, the main requirements are performance based, the guidance in the Approved Document being just one way to satisfy those requirements. Any new building or existing building being extended, materially altered or undergoing a change of use needs to satisfy the Building Regulations. The guidance in ADM will be the first reference point but where certain issues are not specifically covered in ADM, or have been the subject of more recent research, the guidance contained in BS8300 should be used.



Ingersoll Rand Security Technologies has published a comprehensive, RIBA Approved, Design Guide which is available on request.

Improving access into and within our built environment has become a critical issue for architects, specifiers and building owners to ensure that any one of the 9.8 million people in the UK identified as having some form of disability are properly considered in the design and specification of building products.

At the forefront of this issue are two documents, The Disability Discrimination Act 1995 (DDA) and Approved Document M (ADM) of The Building Regulations (England & Wales), effective from May 2004.

To support these there is also a Code of Practice – BS 8300: 2001 – which provides additional 'best practice' guidance on a wide range of considerations.



Recommendations in ADM and BS 8300:2001 (Amendment No. 1)

Although ADM does not specifically address latch and lockcases, BS 8300 provides recommendations for the design of buildings to meet the needs of people with disabilities and includes a number of dimensional and performance recommendations on locks and latches.

**BS 8300 – 6.5.3.2** – Locks and latches states: *“Lever handles should be used wherever possible in conjunction with an upright mortice lock / latch.”*

*“To ensure that people with impaired vision and/or dexterity have unobstructed access to the keyway, the cylinder should either be above the lever handle or the minimum distance between the handle and the keyway of the locking mechanism should be 72mm.”*

Whilst the content of BS 8300 is not mandatory it is widely used by specifiers as a benchmark for assessing product suitability to help service providers meet their duties under the Disability Discrimination Act.

In relation to mortice cylinder locks the standard makes the following recommendations.

- The lock should have a minimum 'backset' (ie lever position from the edge of the door) of 54mm
- Upright mortice locks should be used which have lever to cylinder 'centres' of at least 72mm

Whilst it is not possible to state that products themselves are 'DDA compliant', the Briton 5500 Series is particularly appropriate in order to meet the requirements of the DDA by conforming with the recommendations contained in BS 8300:

- Conforms to the latest performance standard EN 12209
- 60mm backset provides ample space between the door frame and the operating hardware (see pages 5 - 7)
- 72mm lock centres allows easy access to see and operate the cylinder (see pages 5 - 7)
- Deadbolt operated by a single turn of the cylinder
- Torque required to retract the latch by the use of a lever handle is only 2Nm
- Low force needed to depress the latch (3.5N) helps positive latching

# Briton 5400 Series European Lockcases

The new Briton Contract range of euro profile cylinder locks provides all the features of a top specification European lockcase, but at an affordable price.

Comprising of deadlock, sashlock, bathroom lock and latch, the European Contract lock series can be suited with Briton, Normbau and Randi lever furniture and is compatible with most euro profile cylinder ranges.

Briton European Contract cylinder locks come with a full 5 year warranty.



Briton 5410



Briton 5420



Briton 5430



Briton 5440



Silver powder coated case gives exceptional corrosion resistance.

All European Contract lockcases are modular allowing simplified door preparation and lock interchangeability

Single piece round ended forend in grade 316 stainless steel with satin finish, simplifies preparation of doors. Optional square ended forend is also available.

Quick reversible latch for left and right hand applications allowing quick and trouble free on-site handing without the need to dismantle the lockcase.

Profiled latch and forend provides positive location and operation.

Satin nickel plated for corrosion resistance.

Smooth action ball bearing follower for 8mm spindle provides smooth lever operation and reduces wear.

25° follower action for firm positive opening action and with follower springing suitable for high frequency applications.

Positive follower angle (1°) reduces the effect of wear which can lead to lever droop.

20mm double throw bolt from 2 turns of the cylinder offers high levels of physical security on sashlock and deadlock variants.

Satin nickel plated for corrosion resistance.

Sashlock has a cylinder to latch function where both latch and deadbolt can be withdrawn by cylinder key or thumbturn.

Conforms to the dimensional characteristics of DIN 18251 with follower to cylinder centres at 72mm (78mm for bathroom lock). The case is pierced to accept bolt through fixings at 38mm (up to 41mm) centres at the follower and the cylinder position.

Guided cylinder screw accurately aligns the fixing to the cylinder.

Conforms to European Standard EN 12209 and carries the CE mark.  
For further information on CE marking and EN classifications, see page 2



Briton 5420 Cylinder Sashlock



# Briton 5400 Series Lockcase Options



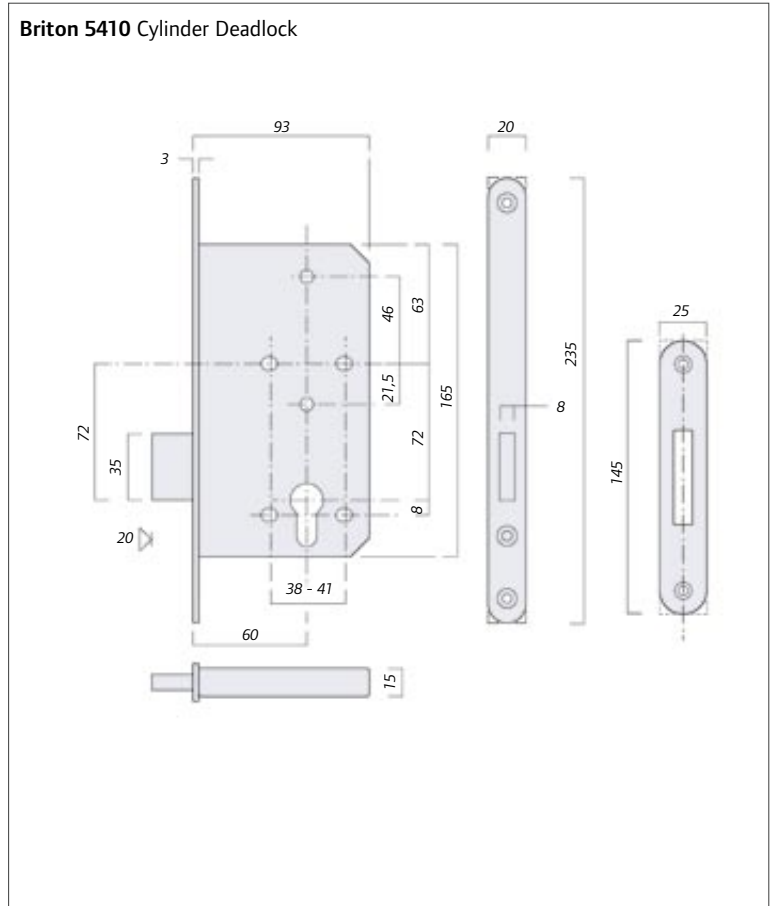
**Briton 5410 Cylinder Deadlock**

*Application*

The deadbolt can be thrown and withdrawn from one side or from both as required depending on the cylinder selected.

**Conforms to:** EN 12209

**Classification:** 2H810F3BC00



**Briton 5420 Cylinder Sashlock**

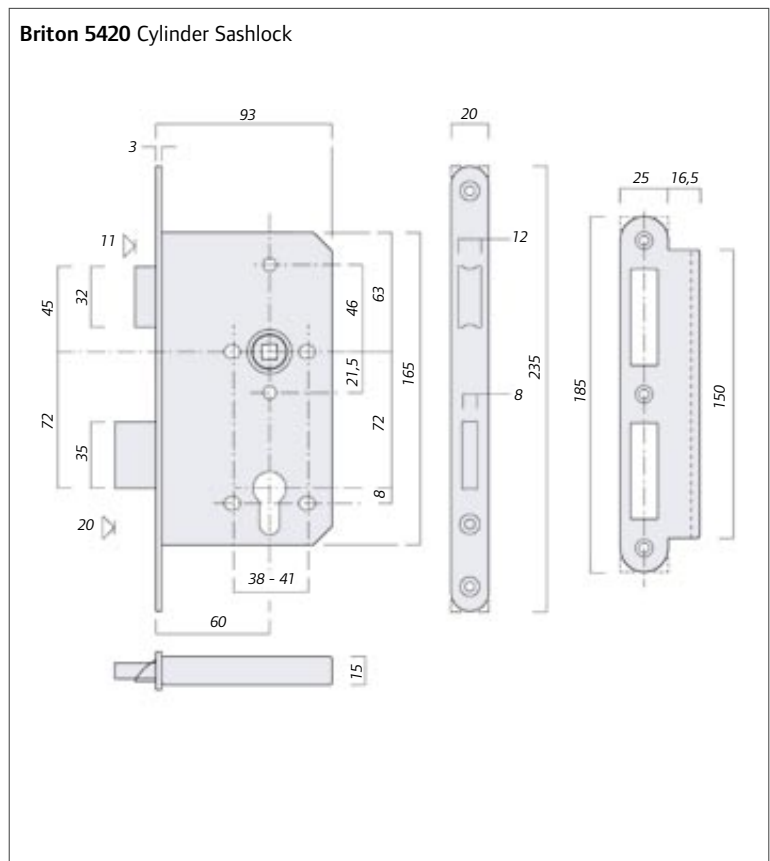
*Application*

The lock can be operated by lever handles to withdraw the latchbolt. The deadbolt can be thrown and withdrawn from one or both sides as required depending on the cylinder selected.

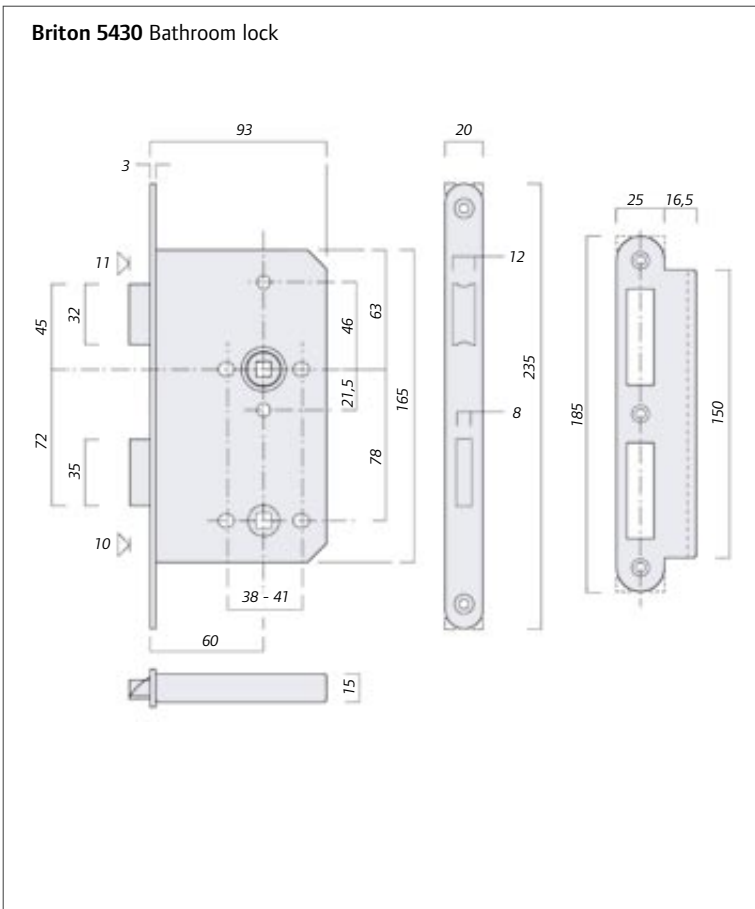
The cylinder to latch function will operate both deadbolt and latch.

**Conforms to:** EN 12209

**Classification:** 2H810F3BC20



For further information on CE Marking and EN Classification, see page 2



**Briton 5430 Bathroom lock**

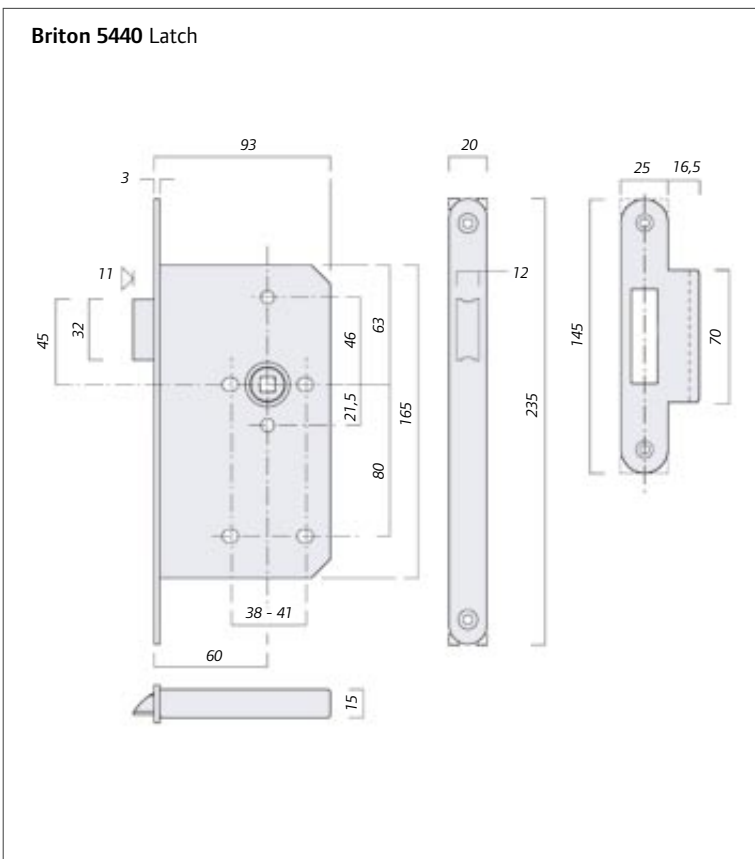
*Application*

From both sides the lock can be operated by lever handle to withdraw the latchbolt.

The 10mm throw deadbolt is operated from inside by a single turn of a thumbturn. The outside of the door can be fitted with an indicator and emergency release and operates in conjunction with the thumbturn via an 8mm spindle.

**Conforms to:** EN 12209

**Classification:** 2H800F-B020



**Briton 5440 Latch**

*Application*

From both sides the lock can be operated by lever handle to withdraw the latchbolt at all times.

**Conforms to:** EN 12209

**Classification:** 2H810F-B020

# Briton 5200 Series UK Lockcases



The Briton 5200 UK Commercial Lock series offers a choice of functions within a modular range of compact sized lockcases.

Comprising of deadlock, sashlock, bathroom lock, latch and nightlatch, the Briton 5200 Series can be suited with Briton, Normbau and Randi lever furniture and is compatible with most euro and oval profile cylinder ranges.

Briton UK Commercial cylinder locks come with a full 10 year warranty.

The Briton 5200 UK Commercial Series features a revolutionary design which enables the spring tension within the lock to be adjusted without removing the lockcase or dismantling the door furniture.

This unique feature means the lock can be 'fine tuned' to match the lever furniture, eliminating the unsightly appearance of drooping levers as a result of excessive use or abuse.



Briton 5210



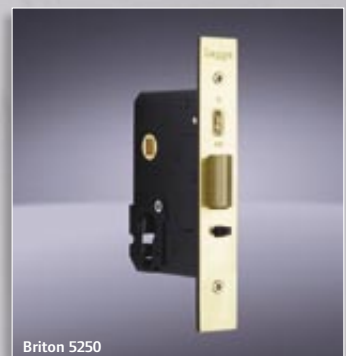
Briton 5220



Briton 5230



Briton 5240



Briton 5250

Black powder coated case gives exceptional corrosion resistance.

All 5200 Series lockcases are modular allowing simplified door preparation and lock interchangeability to suit changes in use.

Separate forend plate in stainless steel or brass to conceal all fixings and 5200 Series adjustment screw.

Robust construction for high level durability and security.

Twist reversible latch without dismantling the lockcase to allow on-site handing.

35° follower action for firm positive opening action and with strong follower springing suitable for heavy duty lever furniture.

Patented 5200 Series spring adjuster to fine tune the strength of the spring allowing adjustment of the spring strength without removing the lockcase

Single throw bolt with hardened steel rotating pins to protect the bolt from sawing.

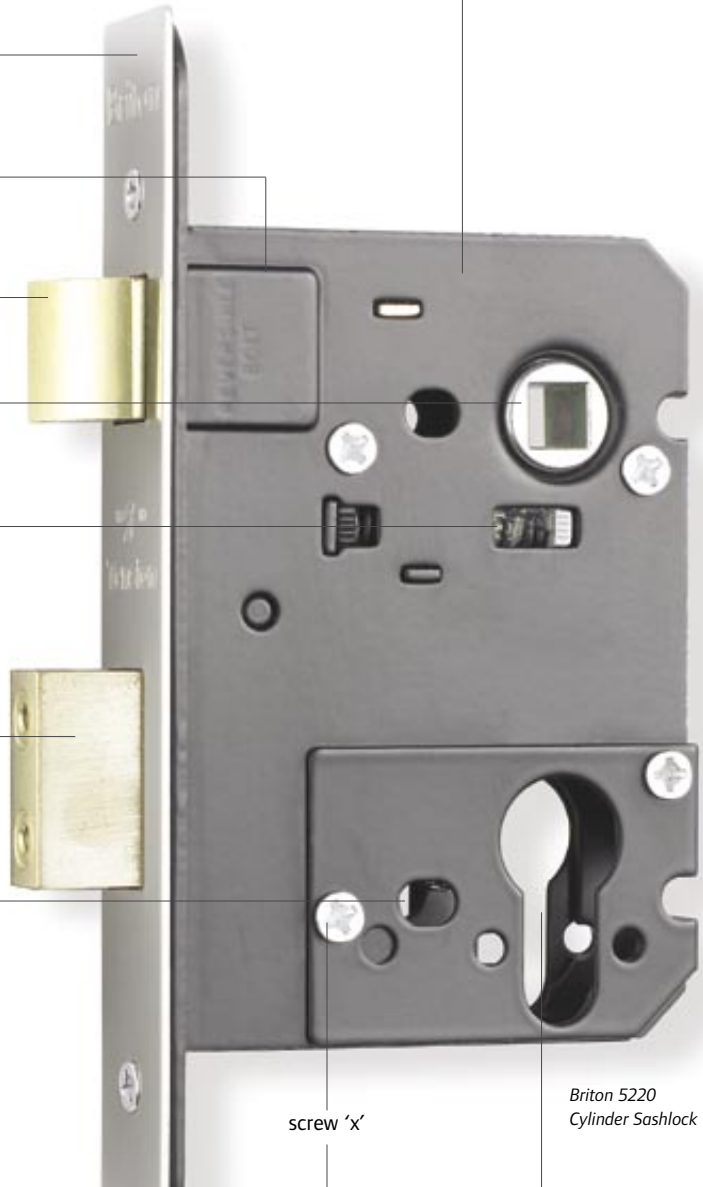
The case is pierced to accept bolt through furniture fixings at 38mm centres at the follower and the cylinder position.

Dual cylinder capability suitable for euro profile or oval profile cylinders. Supplied as standard with conversion plate for euro profile cylinder applications. For oval cylinders simply remove the conversion plate.

NB - screw 'x' needs to be replaced after conversion plate is removed.

Conforms to European Standard EN 12209 and carries the CE mark.

For further information on CE marking and EN classifications, see page 2



# Briton 5200 Series Lockcase Options



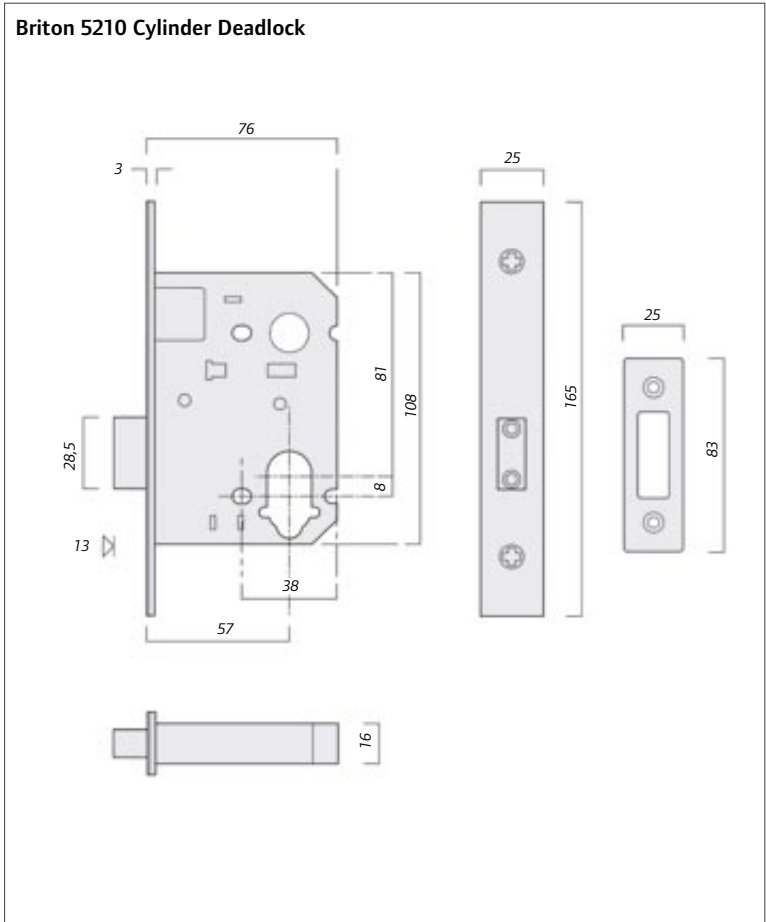
**Briton 5210 Cylinder Deadlock**

*Application*

The deadbolt can be thrown and withdrawn from one side or from both as required depending on the cylinder selected.

**Conforms to:** EN 12209

**Classification:** 3X810F2BA00



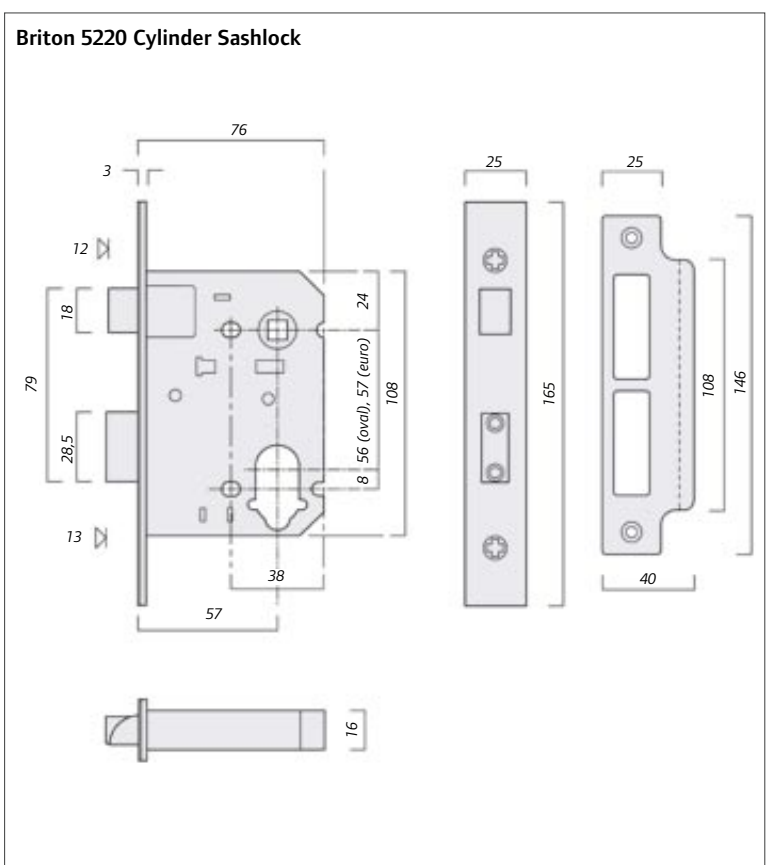
**Briton 5220 Cylinder Sashlock**

*Application*

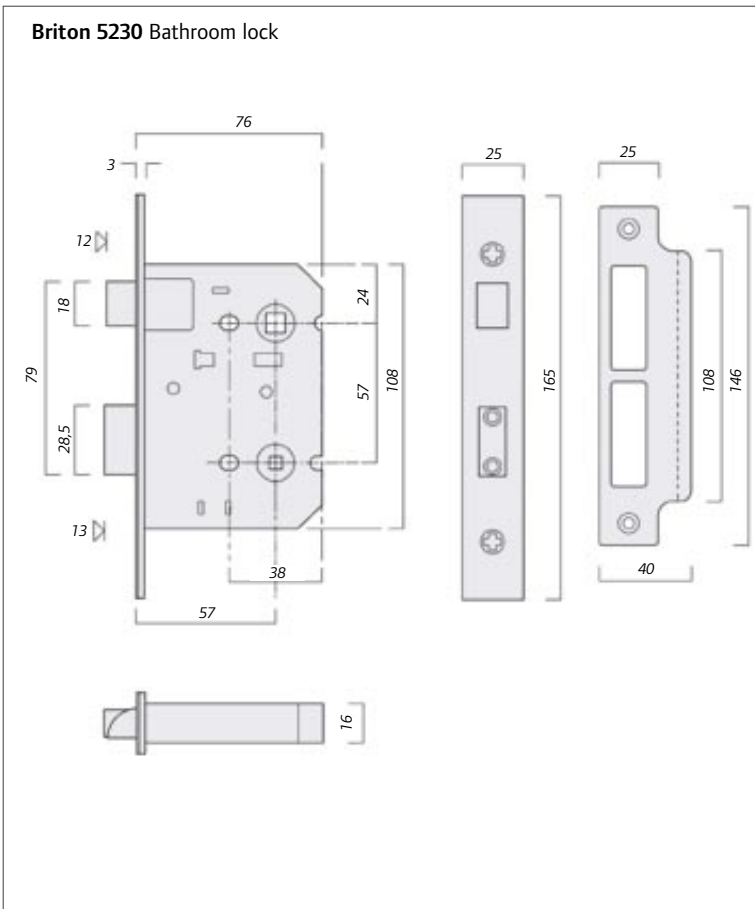
The lock can be operated by lever handles to withdraw the latchbolt. The deadbolt can be thrown and withdrawn from one or both sides as required depending on the cylinder selected.

**Conforms to:** EN 12209

**Classification:** 3X810F2BA20



For further information on CE Marking and EN Classification, see page 2



**Briton 5230 Bathroom lock**

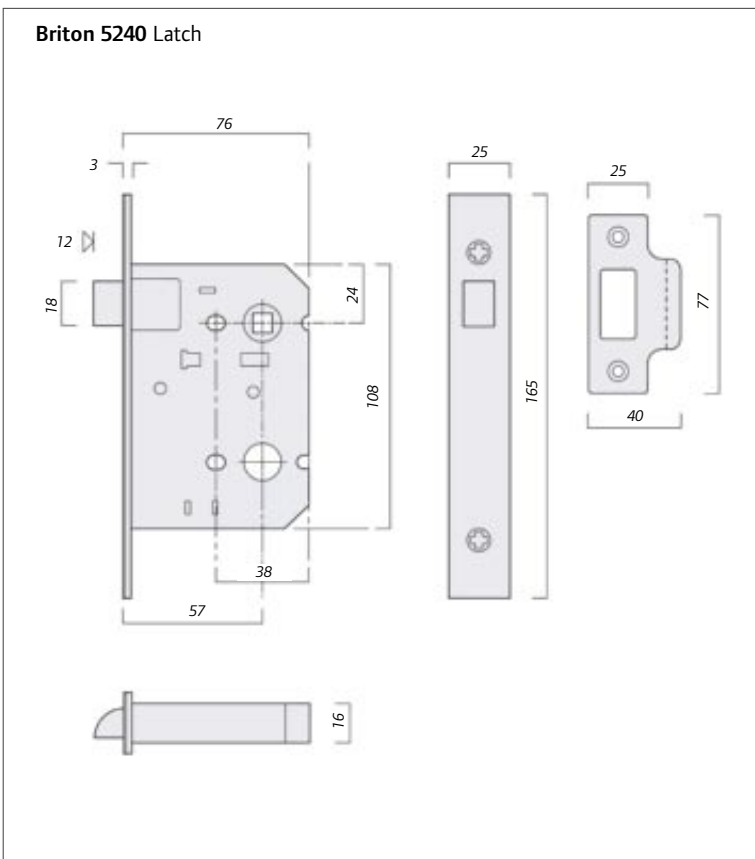
*Application*

From both sides the lock can be operated by lever handle to withdraw the latchbolt.

The 13mm throw deadbolt is operated from inside by a single turn of the thumbturn. The outside of the door can be fitted with an indicator and emergency release and operates in conjunction with the thumbturn via a 5mm spindle.

**Conforms to:** EN 12209

**Classification:** 3X800F-B020



**Briton 5240 Latch**

*Application*

From both sides the lock can be operated by lever handle to withdraw the latchbolt at all times.

**Conforms to:** EN 12209

**Classification:** 3X810F-B020

# Briton Lockcase Options



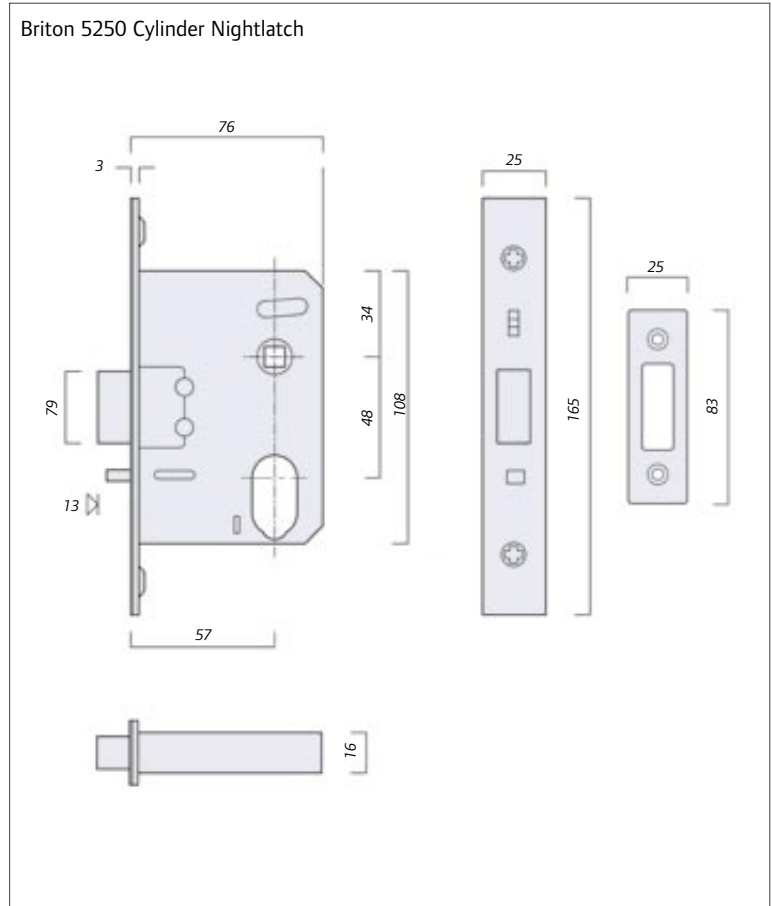
**Briton 5250 Cylinder Nightlatch with Anti-Thrust latchbolt**

### *Application*

The nightlatch function is operated using a half set of levers, with the lever on the inside used to retract the latchbolt. A single cylinder operates from the outside with a single turn of the key to retract the latchbolt.

A catch operated from the lock forend will hold the latchbolt in the withdrawn position.

Anti-thrust feature prevents manipulation of the latchbolt when the door is closed.



	5500 Series	5400 Series
Lock Options	Deadlock, sashlock, bathroom lock, latch, nightlatch and escape lock	Deadlock, sashlock, bathroom lock and latch
Case Dimensions (h x w x d)	165 x 93 x 15mm	165 x 93 x 15mm
Forend Dimensions	235 x 20 x 3mm	235 x 20 x 3mm
Backset	60mm only	60mm only
Cylinder Types	Euro profile cylinders	Euro profile cylinders
Follower to Cylinder Centres	72mm (follower to bathroom function 78mm centres)	72mm (follower to bathroom function 78mm centres)
Materials	<ul style="list-style-type: none"> <li>- Case is mild steel 1.5mm with a black powder coated finish</li> <li>- Hardened steel deadbolt with chrome plated finish and steel latchbolt with chrome plated finish</li> <li>- Forend is grade 316 stainless steel with matching strike plate. Both forend and strike plate are available with round (R) or square (S) ends</li> </ul>	<ul style="list-style-type: none"> <li>- Case is 1.5mm mild steel with a silver powder coated finish</li> <li>- Bolt and latch die cast zinc with satin nickel plated finish</li> <li>- Forend is grade 316 stainless steel with matching strike plate. Both forend and strike plate are available with round (R) or square (S) ends</li> </ul>
Finishes	Forend & strike in satin stainless steel (SS) or polished brass (PB)	Forend and strike in polished stainless steel (PS) or satin stainless steel (SS)
Strikes	Supplied as standard with flat stainless steel strike plate with preformed lip	Supplied as standard with flat stainless steel strike plate with preformed lip
Features	<ul style="list-style-type: none"> <li>- Phosphor bronze bushed 'gripping' follower for smooth action, reduced follower wear and firm positive hold on the spindle</li> <li>- 22mm deadbolt throw (single turn of key or cylinder turn)</li> <li>- Positive follower springing suitable for unsprung lever operation</li> <li>- Cylinder to latch function on sashlocks and escape locks only (key will operate both deadbolt and latch)</li> <li>- Smooth latch profile, quick reversible without removal of case cover</li> <li>- Through fixings at DIN centres at follower and cylinder (38mm centres)</li> <li>- 1° positive follower angle, with full follower operation in 30°</li> </ul>	<ul style="list-style-type: none"> <li>- Ball bearing follower for smooth action and reduced follower wear</li> <li>- 20mm deadbolt throw (double turn of key or cylinder turn)</li> <li>- Positive follower springing suitable for unsprung lever operation</li> <li>- Cylinder to latch function on sashlocks only (key will operate both deadbolt and latch)</li> <li>- Smooth latch profile, quick reversible without removal of case cover</li> <li>- Through fixings at DIN centres at follower and cylinder (38 to 41mm centres)</li> <li>- 1° positive follower angle, with full follower operation in 25°</li> <li>- Reversible latch for on-site handing</li> </ul>
Warranty	10 years	5 years
Standards & Testing	<ul style="list-style-type: none"> <li>- Meets the requirements of the European standard EN 12209 and based on the dimensional requirements of DIN18251.</li> <li>- Escape sashlock also meets European standard EN 179. For EN 179 compliance compatible lever furniture must be used (Briton 4640.20.HR; 4640.22.HR; 4640.20.HB.72; 4640.22.HB.72; Normbau 0433 37; 0433 33; 0622 17; 0433 17; Randi 1020.085H; 1020.985H; 1030.085H; 1030.985H)</li> <li>- The locks have successfully undergone the following tests: <ul style="list-style-type: none"> <li>• Latch durability - 200,000 cycles</li> <li>• Deadbolt durability - 50,000 cycles</li> <li>• Corrosion resistance - 240 hrs salt spray test</li> </ul> </li> <li>- Assessed to BS476 pt22 for a 1hour fire test</li> <li>- Successful in 1/2 and 1hr fire tests to EN1634 on timber doors and 4hr fire tests to EN1634 on steel doors</li> </ul>	<ul style="list-style-type: none"> <li>- Meets the requirements of the European standard EN 12209 and based on the dimensional requirements of DIN18251</li> <li>- The locks have successfully undergone the following tests: <ul style="list-style-type: none"> <li>• Latch durability - 200,000 cycles</li> <li>• Deadbolt durability - 50,000 cycles</li> <li>• Corrosion resistance - 96 hrs salt spray test</li> </ul> </li> <li>- Assessed to BS476 pt22 for a 1hr fire test</li> <li>- Successful in 1/2 and 1hr fire tests to EN1634 on timber doors and 4hr fire tests to EN1634 on steel doors</li> </ul>
CE Marking	The Briton 5500 Series locks are CE marked. However, EN 12209 does not currently permit CE marking on bathroom or nightlatch variant locks	The Briton 5400 Series locks are CE marked. However, EN 12209 does not permit CE marking on bathroom variant locks
Fixing	<p>The locks are supplied with:</p> <ul style="list-style-type: none"> <li>- 2 x No.8 stainless steel pozi countersunk wood screws (body fixings)</li> <li>- 3 x No.8 stainless steel pozi countersunk wood screws (strike fixings)</li> <li>- 1 x 70mm cylinder screw (where required)</li> </ul>	<p>The locks are supplied with:</p> <ul style="list-style-type: none"> <li>- 2 x No.8 steel pozi countersunk wood screws with plated finish (body fixings)</li> <li>- 3 x No.8 steel pozi countersunk wood screws with plated finish (strike fixings)</li> <li>- 1 x 70mm cylinder screw (where required)</li> </ul>
Options	Box strike available to special order 13mm and 25mm rebate kits are available to order (to suit square forend only)	Box strike available to special order 13mm and 25mm rebate kits are available to order (to suit square forend only)

# Briton Specifications & Product Selector

## 5200 Series

Deadlock, sashlock, bathroom lock, latch and nightlatch
108 x 76 x 16mm
165 x 25 x 3mm
57mm only
Dual cylinder capability - euro profile and oval profile using conversion plate provided
57mm (euro profile), or 56mm (oval profile), follower to bathroom function 57mm centres, 48mm for nightlatch
<ul style="list-style-type: none"> <li>- Case is 1.5mm mild steel with a black powder coated finish</li> <li>- Brass deadbolt with hardened steel rotating pins and brass latchbolt</li> <li>- Forend is grade 316 stainless steel with matching strike plate. Both forend &amp; strike plate available with round (R) or square (S) ends, except nightlatch with square end only</li> </ul>
Forend & strike in satin stainless steel (SS) or polished brass (PB)
Supplied as standard with flat stainless steel or solid brass strike plate with preformed lip
<ul style="list-style-type: none"> <li>- Patented spring strength adjuster</li> <li>- Single throw anti saw deadbolt</li> <li>- Strong follower springing to suit heavy duty lever furniture</li> <li>- Through fixings at follower and cylinder (38mm centres)</li> <li>- 35° follower operation</li> <li>- Twist reversible latch for quick and easy on site handing</li> </ul>
10 years
<ul style="list-style-type: none"> <li>- Meets the requirements of the European standard EN 12209</li> </ul>
<ul style="list-style-type: none"> <li>- The locks have undergone the following tests: <ul style="list-style-type: none"> <li>• Latch durability - 200,000 cycles</li> <li>• Deadbolt durability - 50,000 cycles</li> <li>• Corrosion resistance - 96 hrs salt spray test</li> </ul> </li> <li>- Assessed to BS476 pt22 for a 1hr fire test</li> <li>- Successful in 1/2 and 1hr fire tests to EN1634 on timber doors and 4hr fire tests to EN1634 on steel doors</li> </ul>
The Briton 5200 Series locks are CE marked. However, EN 12209 does not permit CE marking on bathroom or nightlatch variant locks
The locks are supplied with: <ul style="list-style-type: none"> <li>- 2 x No.8 steel pozi countersunk wood screws with plated finish (body fixings)</li> <li>- 2 x No.8 steel pozi countersunk wood screws with plated finish (strike fixings)</li> <li>- 2 x M3.5 face plate screws with plated finish (forend face plate fixings)</li> <li>- 1 x 70mm cylinder screw (sashlock and deadlock only)</li> </ul>
Box strike available to special order 13mm and 25mm rebate kits are available to order (to suit square forend only)

## Product Selector - 5500 Series

Product Ref:	Description	Backset	Forend	Finish .XX
5510.60.R.XX	Deadlock	60	Round	SS or PB
5520.60.R.XX	Sashlock	60	Round	SS or PB
5530.60.R.XX	Bathroom lock	60	Round	SS or PB
5540.60.R.XX	Latch	60	Round	SS or PB
5550.60.R.XX	Nightlatch	60	Round	SS or PB
5560.60.R.XX	Escape lock	60	Round	SS or PB
5510.60.S.XX	Deadlock	60	Square	SS or PB
5520.60.S.XX	Sashlock	60	Square	SS or PB
5530.60.S.XX	Bathroom lock	60	Square	SS or PB
5540.60.S.XX	Latch	60	Square	SS or PB
5550.60.S.XX	Nightlatch	60	Square	SS or PB
5560.60.S.XX	Escape lock	60	Square	SS or PB

## Product Selector - 5400 Series

Product Ref:	Description	Backset	Forend	Finish
5410.60.R.SS	Deadlock	60	Round	SS
5420.60.R.SS	Sashlock	60	Round	SS
5430.60.R.SS	Bathroom lock	60	Round	SS
5440.60.R.SS	Latch	60	Round	SS
5410.60.S.SS	Deadlock	60	Square	SS
5420.60.S.SS	Sashlock	60	Square	SS
5430.60.S.SS	Bathroom lock	60	Square	SS
5440.60.S.SS	Latch	60	Square	SS

## Product Selector - 5200 Series

Product Ref:	Description	Backset	Forend	Finish.XX
5210.57.R.XX	Deadlock	57	Round	SS or PB
5220.57.R.XX	Sashlock	57	Round	SS or PB
5230.57.R.XX	Bathroom lock	57	Round	SS or PB
5240.57.R.XX	Latch	57	Round	SS or PB
5210.57.S.XX	Deadlock	57	Square	SS or PB
5220.57.S.XX	Sashlock	57	Square	SS or PB
5230.57.S.XX	Bathroom lock	57	Square	SS or PB
5240.57.S.XX	Latch	57	Square	SS or PB
5250.57.S.XX	Nightlatch	57	Square	SS or PB

note: substitute .XX for the appropriate finish code - e.g 5210.57.R.SS

## Specification Helper

The functioning of the lock and its consequent durability is dependant on the accuracy with which the lock and the lever furniture is fitted. It is recommended that all timber doors are factory prepared for mortice locks to ensure proper alignment within the door and to avoid excessive loose material coming into contact with the lockcase.

When specifying the cylinder it is advisable to check that the cam on the cylinder is compatible with the lockcase mechanism. Please contact our Technical Services Department on **0800 834 102** for further assistance.



### 5500 Series & 5400 Series

Silver anodised aluminium square rebate kits with grade 316 stainless steel strike plates. Replaces the standard strike plate supplied with the lockcase (Suits only locks with square ended forends).

#### Each Pack Contains

- 1 x aluminium rebate strike assembly (including square stainless steel strike plate)
- 1 x aluminium rebate lock packer
- 1 x screw pack

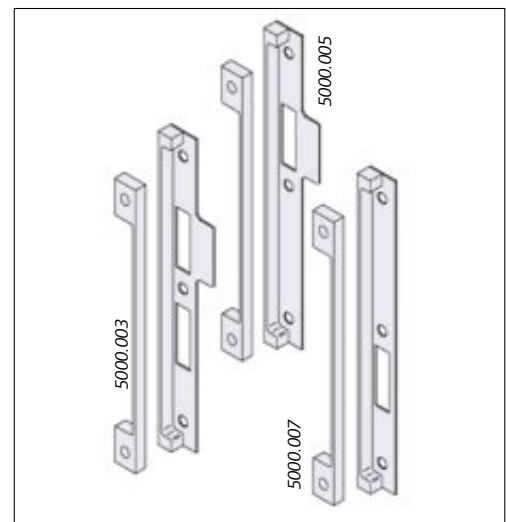
#### Product Selector

For Lockcases:	For 13mm rebates	For 25mm rebates	Finish:
5520, 5530, 5560, 5420, 5430	5000.003	5000.004	SS
5540, 5550, 5440	5000.005	5000.006	SS
5510, 5410	5000.007	5000.008	SS

A range of accessories is available to suit variations in door and frame details, including rebated doors, for the following lockcases:

- Briton 5500 Series
- Briton 5400 Series
- Briton 5200 Series

**Note: Rebate sets are suitable only for use with locks with square forends.**



### 5200 Series

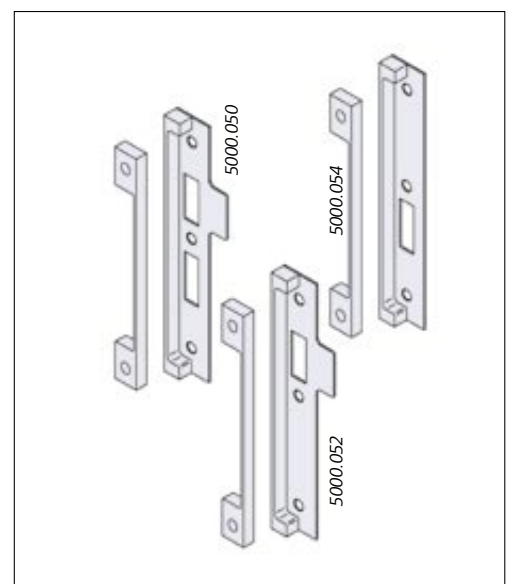
Silver anodised aluminium square rebate kits with grade 316 stainless steel or polished brass strike plates. Replaces the standard strike plate supplied with the lockcase (Suits only locks with square ended forends).

#### Each Pack Contains

- 1 x aluminium rebate packer-strike
- 1 x aluminium rebate packer-lock
- 1 x square stainless steel strike plate
- 1 x screw pack

#### Product Selector

For Lockcases:	For 13mm rebates	For 25mm rebates	Finish:
5220, 5230	5000.050.XX	5000.051.XX	SS or PB
5240	5000.052.XX	5000.053.XX	SS or PB
5210	5000.054.XX	5000.055.XX	SS or PB
5250	5000.056.XX	5000.057.XX	SS or PB



note: substitute .XX for the appropriate finish code - e.g 5000.053.SS

# Briton Lockcase Accessories

## 5500 Series & 5400 Series Heavy Duty Box Strikes

Solid zinc alloy strike boxes with durable black powder coated finish. Used in conjunction with the standard strike plate supplied with the lockcase.

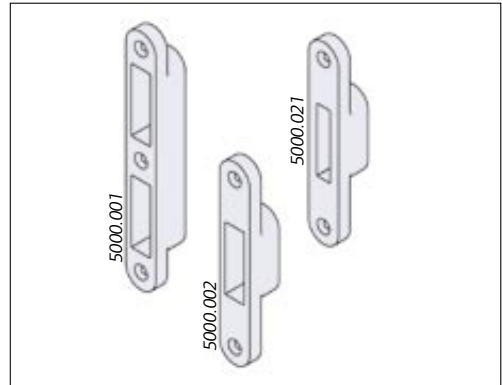
Suits locks with round and square ended forends.

Each Pack Contains

- 1 x strike box
- 1 x screw pack

### Product Selector

Product Ref:	Lock Type	To suit locks:	Finish:
5000.00	Latch & Bolt	5520, 5530, 5560, 5420, 5430	SS
5000.002	Latch only	5540, 5550, 5440	SS
5000.021	Bolt only	5510, 5410	SS



## 5500 Series & 5400 Series Full Round & Full Square Strike Plates

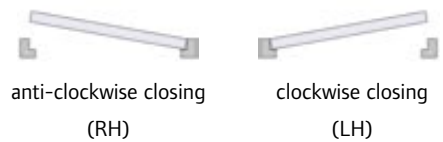
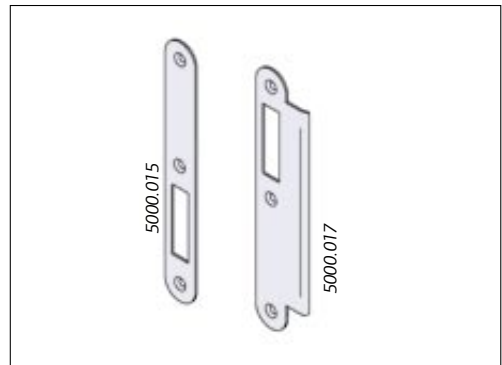
Grade 316 stainless steel strike plates to replace or use instead of the standard strike plates for common door preparation. Latch strikes are supplied for RH or LH applications.

Each Pack Contains

- 1 x full round or square strike plate to suit
- 1 x screw pack

### Product Selector

Product Ref:	Forend Type	To suit locks:	Finish:
5000.015	Round	5510, 5410	SS
5000.016	Square	5510, 5410	SS
5000.017	Round/RH	5540, 5550, 5440	SS
5000.018	Square/RH	5540, 5550, 5440	SS
5000.019	Round/LH	5540, 5550, 5440	SS
5000.020	Square/LH	5540, 5550, 5440	SS





55 Clifton Road • Cambridge CB1 7EF  
**Telephone** 01223 414121 • **Fax** 01223 411002 • **Email** sales@acornironmongery.com  
**Website** www.acornironmongery.com

Whilst Acorn Architectural Ironmongery Limited has taken every care to ensure the accuracy of information, data or advice contained in this literature, no liability in respect of such information or advice, whether given negligently or not, can be accepted by the company. Acorn Architectural Ironmongery Limited retains the right to amend the technical specification of any range of equipment shown without notice.

Produced by Refresh Media Design Limited.