

# contents



## BOLOTA RANGE

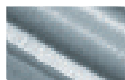
### 43 series

Lever Handles **Pages 5-6**

Pull Handles **Page 7**

Accessories **Page 7**

#### FINISHES



**SSS**  
Satin Stainless Steel



**PSS**  
Polished Stainless Steel



## BOLOTA RANGE

### 44 series

Lever Handles **Pages 9-10**

Pull Handles **Page 11**

Accessories **Page 11**

#### FINISHES



**SC**  
Satin Chrome Plates



**CP**  
Polished Chrome Plates

# how to order

In order to simplify the ordering process please follow these simple steps:

#### **Bolota 43 Series - Stainless Steel Range**

1. First choose the range: 43 Series
2. Choose the lever design: eg A4305
3. Choose springing: eg Sprung (**S**) or Unsprung (**U**)
4. Choose finish: eg Satin Stainless Steel (**SSS**) or Polished Stainless Steel (**PSS**)

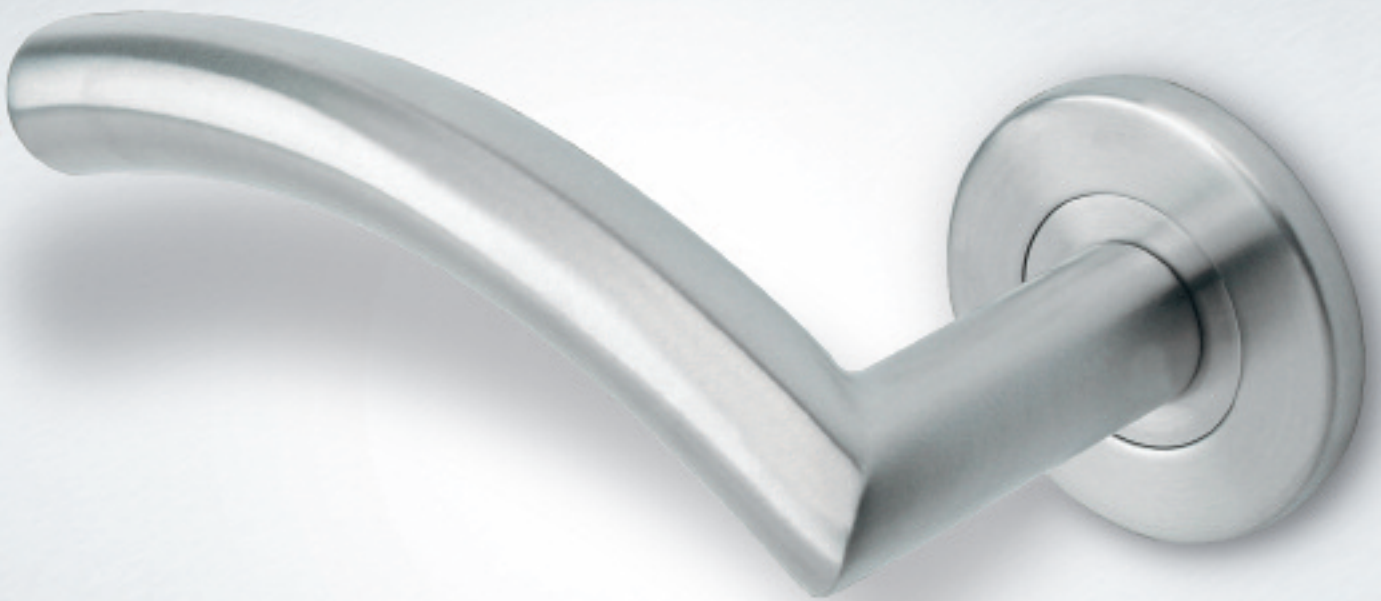
#### **Bolota 44 Series - Chrome Range**

1. First choose the range: 44 Series
2. Choose the lever design: eg A4405
3. Choose springing: Sprung (**S**)
4. Choose finish: eg Satin Chrome (**SC**) or Polished Chrome (**CP**)

# bolota range

## 43 series

This comprehensive Stainless Steel range comes in 10 contemporary designs, available in Satin and Polished Stainless Steel. All lever handles are manufactured from Grade 316 Stainless Steel and are available either sprung or unsprung complete with a stylish slimline 6mm screw on rose. Matching pull handles and accessories complete this stylish collection.

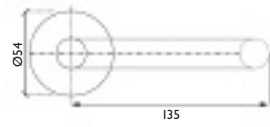


# ACORN

## BOLOTA RANGE 43 SERIES



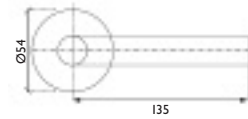
SSS  **A4305**



PSS  **A4305**



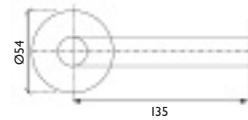
SSS  **A4310**



PSS  **A4310**



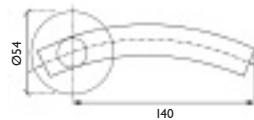
SSS  **A4315**



PSS  **A4315**



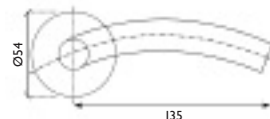
SSS  **A4320**



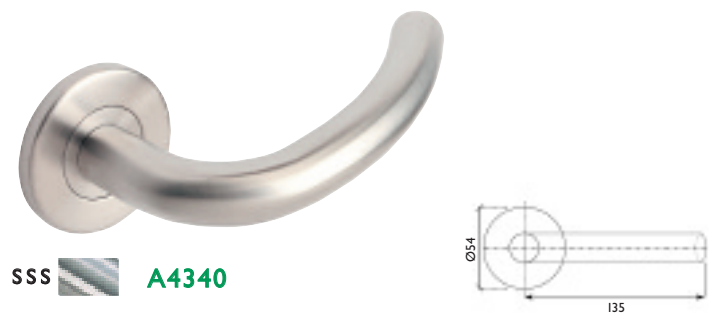
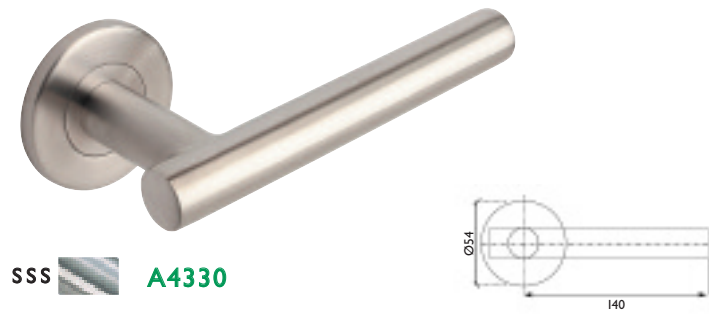
PSS  **A4320**



SSS  **A4325**



PSS  **A4325**



# ACORN

## BOLOTA RANGE 43 SERIES

Pull Handles are manufactured from 19mm diameter Grade 316 Stainless Steel and are available in 150, 225, 300, 450 and 600mm lengths.

The Pull Handles are available with bolt through fixings, back to back fixings or concealed fixed rose.

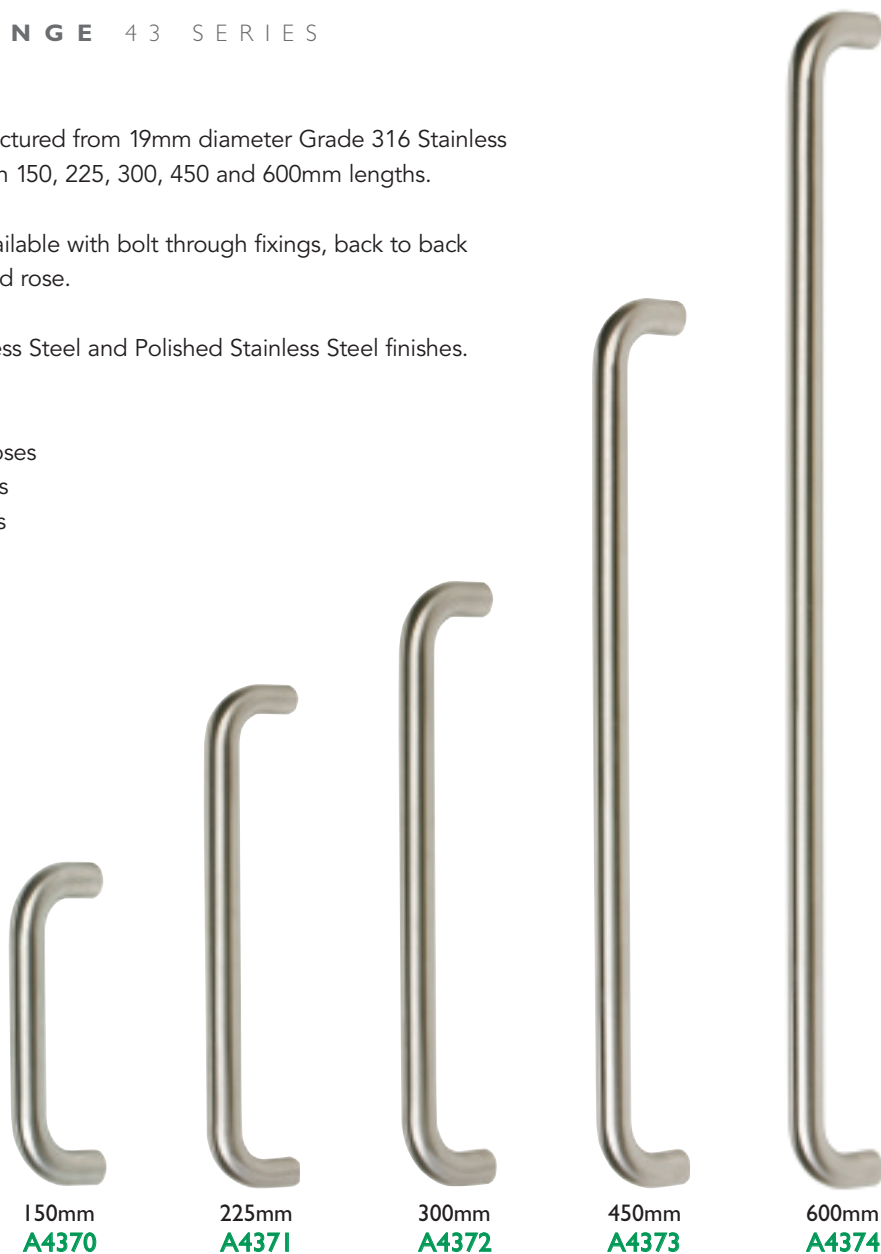
Available in Satin Stainless Steel and Polished Stainless Steel finishes.

### Fixing Options:

**FF** Concealed Fixed Roses

**BT** Bolt Through Fixings

**BB** Back to Back Fixings



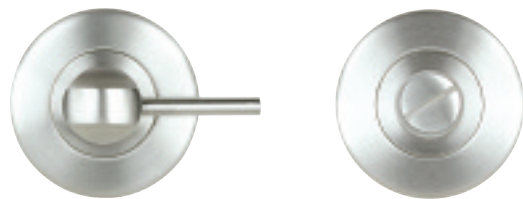
SSS  **A4360**  
PSS  **Keyhole Escutcheon**



SSS  **A4361**  
PSS  **Euro Profile Escutcheon**



SSS  **A4362**  
PSS  **Standard Bathroom Turn & Emergency Release Set**



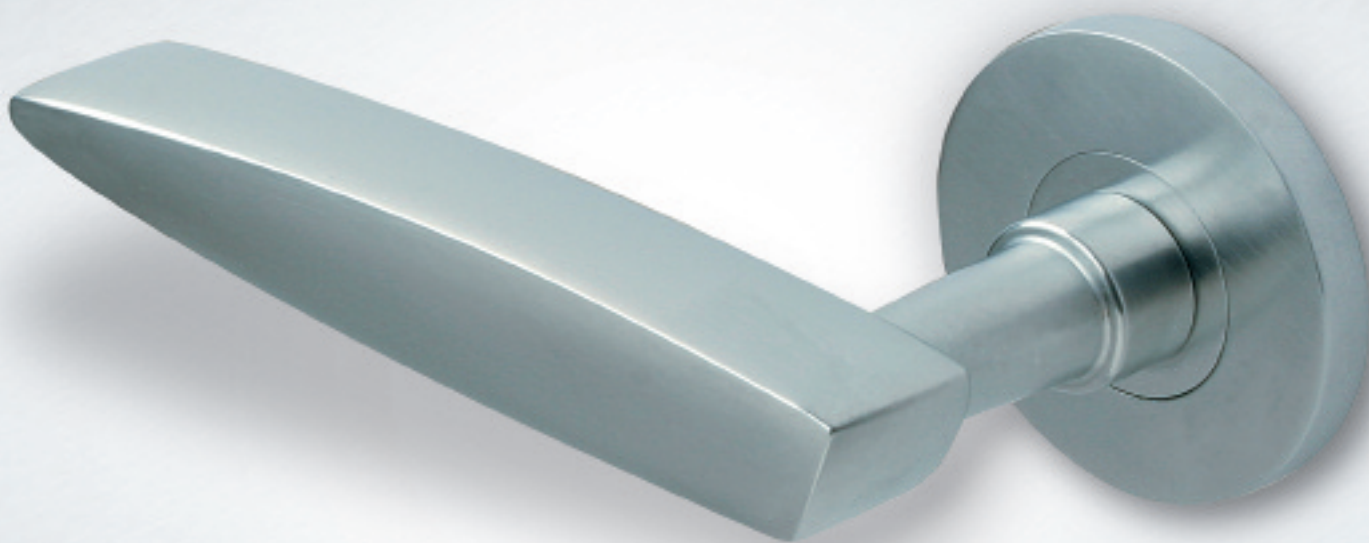
SSS  **A4363**  
PSS  **Large Bathroom Turn & Emergency Release Set**

**NOTE: Suffix (I)** for Red/White Indicator

# bolota range

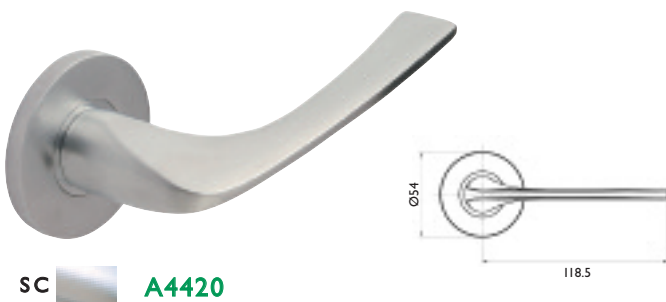
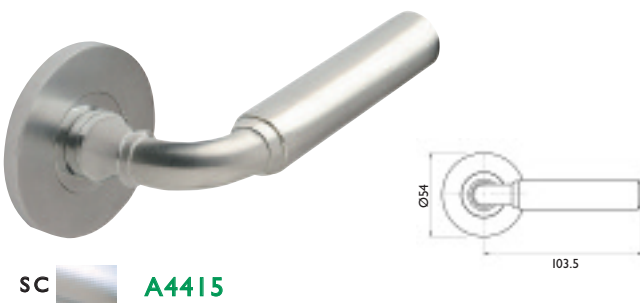
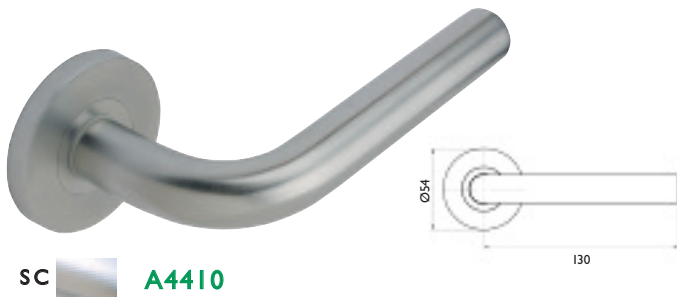
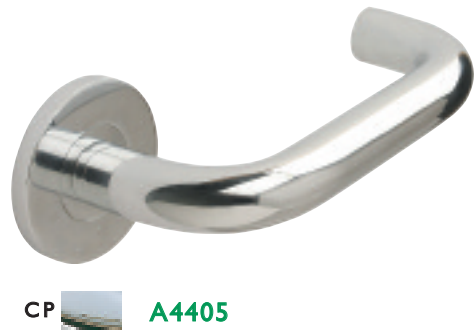
## 44 series

This comprehensive solid Brass range comes in 9 stylish designs, available in Satin and Polished Chrome. As all lever handles are manufactured from solid brass, this range is **available sprung only** and comes complete with a stylish slimline 7mm screw-on rose. Matching pull handles and accessories complete this stylish collection.

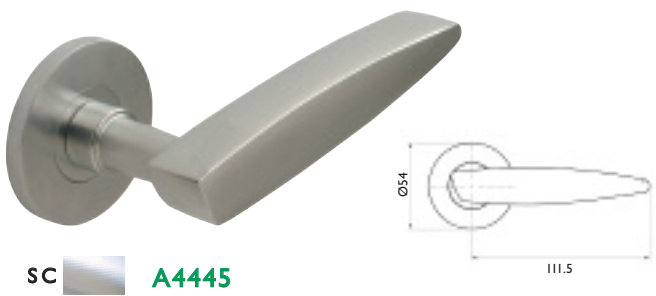
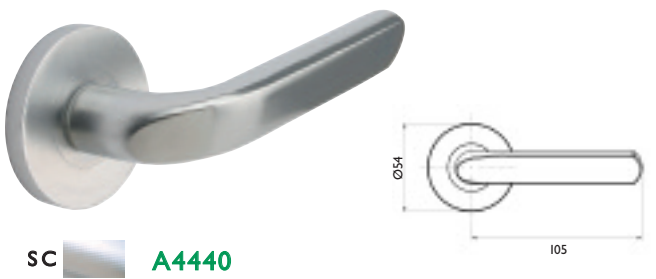
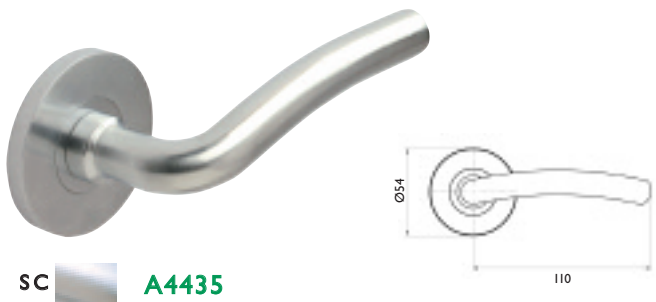


# ACORN

## BOLOTA RANGE 44 SERIES



We recommend the use of heavy sprung lock cases with 44 Series Lever Handles



We recommend the use of heavy sprung lock cases with 44 Series Lever Handles

# ACORN

## BOLOTA RANGE 44 SERIES

Pull Handles are manufactured from 19mm diameter solid brass and are available in 150, 225, 300 and 450mm lengths.

The Pull Handles are available with bolt through fixings, back to back fixings or concealed fixed rose.

Available in Satin Chrome and Polished Chrome.

### Fixing Options:

**FF** Concealed Fixed Roses

**BT** Bolt Through Fixings

**BB** Back to Back Fixings



150mm  
A4470

225mm  
A4471

300mm  
A4472

450mm  
A4473



SC **A4460**  
CP Keyhole Escutcheon



SC **A4461**  
CP Euro Profile Escutcheon



SC **A4462**  
CP Standard Bathroom Turn & Emergency Release Set



SC **A4463**  
CP Large Bathroom Turn & Emergency Release Set



55 Clifton Road • Cambridge CB1 7EF  
**Telephone** 01223 414121 • **Fax** 01223 411002 • **Email** sales@acornironmongery.com  
**Website** www.acornironmongery.com

Whilst Acorn Architectural Ironmongery Limited has taken every care to ensure the accuracy of information, data or advice contained in this literature, no liability in respect of such information or advice, whether given negligently or not, can be accepted by the company. Acorn Architectural Ironmongery Limited retains the right to amend the technical specification of any range of equipment shown without notice.

Produced by Refresh Media Design Limited.