



**Anti-Ligature** Door Hardware



FM 00401



EMS 66705

When specifying a product from Ingersoll Rand Security Technologies you can be assured that an uncompromising attention to detail has been given to every stage of design and manufacture. This ensures that its products and systems meet the highest possible quality and conformity certifications and exceed the requirements of all applicable European Standards.

A global leader in every sense of the word, Ingersoll Rand Security Technologies has an unrivalled track record in satisfying the demands of architects, designers, specifiers and building contractors throughout the world.

Ingersoll Rand Security Technologies manufactures a portfolio of market leading products, including Briton, the UK's number one brand of door controls. The Briton name is synonymous with high quality design, reliability and durability and is at the forefront of supplying products that meet the new European CPD requirements, such as one of the first ranges of CE marked fire exit hardware and door controls.



## Briton

Door hardware and security products

## Normbau

Coloured nylon design systems

## Randi

Scandinavian stainless steel design systems

## CISA

Hotel locking and security systems

In addition, Ingersoll Rand Security Technologies produces a wide selection of contemporary door hardware, including Randi, an architect-designed suite of stainless steel door furniture and bathroom fittings, manufactured at its factory in Denmark.

An extensive series of coloured nylon and stainless steel products are manufactured in the company's German facility under the Normbau brand. The range incorporates lever and pull handles as well as complementary accessories, a comprehensive railing system and products for people with special needs.

Manufactured in Italy and designed to suit even the most demanding professional requirements in the security sector, Ingersoll Rand Security Technologies' CISA range incorporates traditional hardware products, hotel locks and advanced access control systems with 'smart card' .

# Briton Anti-Ligature Door Hardware

## Avoiding the opportunities for Self Harm

The Briton Anti-ligature Series of door hardware has been developed in response to the growing requirement for these specialised products for use in mental institutions, psychiatric hospitals, care homes, detention centres, prisons and other facilities where the avoidance of self harm is a design consideration.

Government figures indicate that several thousand people die or are seriously injured from self inflicted causes in such institutions each year. Even in such secure surroundings the door furniture, particularly the door lever, has provided a means of attaching a ligature.

The primary aim in designing the Briton Anti-ligature Series has been to eliminate the possibility of attaching a wire or cord around the door operating furniture.



Briton 4901.1



Briton 4990.B.1.SD

## Briton 4900 Series

The Briton 4900 Series is a comprehensive range of knobsets and pull handles.

Features include:

- Knob furniture conforms to the requirements of EN 1634 for use on timber fire doors up to 2 hour certification
- Knobset and pull handle options
- Grade 316 stainless steel used throughout the range (cylinders excepted)
- Secure 'bolt through' fixings ensuring the best possible resistance to abusive environments

Designed to work with Briton 5500 Series locks or other Euro profile cylinder locks with 72mm centres and 'soft action' latching.

2 special back to back fixing bolts effectively lock the assembly to the door providing a strong and rigid construction. Once fitted the hardware cannot be removed from the inside due to there being no visible fixings.

Connections between the knob and mounting rose or plate are fully concealed thus preventing the wrapping of wires or cords between components.

Knob and co-ordinated rose are smoothly tapered to prevent the door fitting being used as a ligature point and the overall design does not draw attention to the anti-ligature nature of the product.

Special cylinder thumbturn is an essential element in the Anti-ligature solution. The connection between thumbturn and cylinder is fully concealed at all times and a clutch mechanism inside the unit prevents the thumbturn from being held on the inside in an attempt to prevent the key operation from outside.

Grade 316 satin stainless steel finish is compatible with other hardware items allowing the Anti-ligature products to be specified as part of a fully integrated door hardware package

Successfully tested to EN 1634 for use on up to 2 hour timber fire doors.



External handle can be of the same Anti-ligature design or can be a conventional lever type (see product selector)

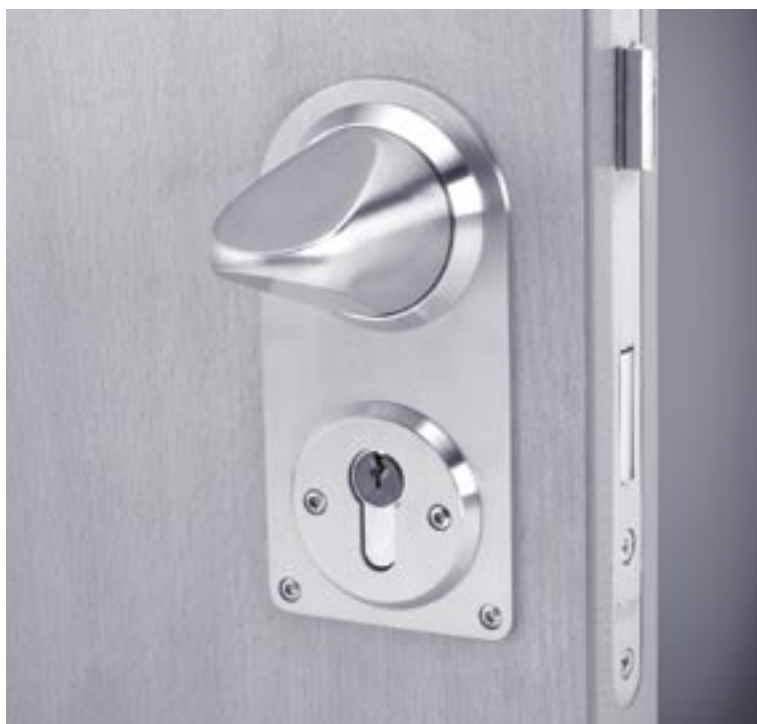
All fixings are security type fixings which prevent removal without the correct tool. This improves safety and security.

Locking Anti-ligature sets are supplied complete with cylinders to provide compatibility between the hardware and the door thickness. This ensures the cylinder does not project beyond the outer face of the escutcheon creating a ligature point. Supplied as standard with Primus S cylinder.



# Briton Knobsets

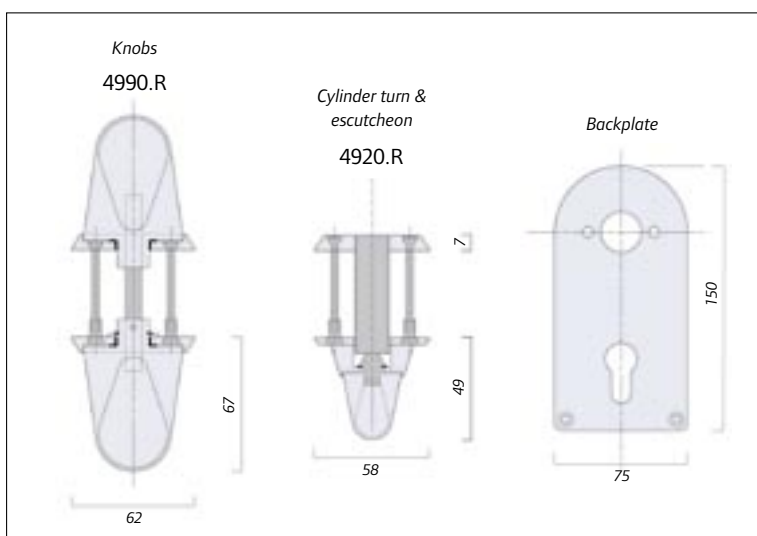
Options include Anti-ligature knobs, turns and escutcheons which can be used with or without backplates. Combinations of Anti-ligature fittings and conventional door furniture are also available.



Where the Anti-ligature facility is required on one side only, a single sided assembly may be combined with a conventional lever handle operation from the secure side. The above illustration shows a Briton 5520 lockcase with return to door lever assembly.



Briton Anti-ligature hardware is designed to operate with the full range of Primus euro profile cylinders in satin nickel finish from Ingersoll Rand Security Technologies and can incorporate master-key systems.



## Product Selector - Operating Furniture

product ref:	finish:	description	cylinder type (supplied - except *)
4990.B.1.MK	SS	Knob/knob set on backplates	3030 MK cyl. c/w anti-lig. thumbturn
4990.B.2.MK	SS	Knob/knob set on backplates	3535 MK cyl. c/w anti-lig. thumbturn
4990.B.1.SD	SS	Knob/knob set on backplates	3030 SD cyl. c/w anti-lig. thumbturn
4990.B.2.SD	SS	Knob/knob set on backplates	3535 SD cyl. c/w anti-lig. thumbturn
4990.R	SS	Knob/knob set with roses	*
4920.R.1.MK	SS	Thumbturn & escutcheon set	3030 MK cyl. c/w anti-lig thumbturn
4920.R.2.MK	SS	Thumbturn & escutcheon set	3535 MK cyl. c/w anti-lig thumbturn
4920.R.1.SD	SS	Thumbturn & escutcheon set	3030 SD cyl. c/w anti-lig thumbturn
4920.R.2.SD	SS	Thumbturn & escutcheon set	3535 SD cyl. c/w anti-lig thumbturn
4906	SS	Cylinder escutcheon sets	Euro profile*
4995.B.1.MK	SS	Knob with RTD lever on backplates	3030 MK cyl. c/w anti-lig. thumbturn
4995.B.2.MK	SS	Knob with RTD lever on backplates	3535 MK cyl. c/w anti-lig. thumbturn
4995.B.1.SD	SS	Knob with RTD lever on backplates	3030 SD cyl. c/w anti-lig. thumbturn
4995.B.2.SD	SS	Knob with RTD lever on backplates	3535 SD cyl. c/w anti-lig. thumbturn
4995.R	SS	Knob with RTD lever on roses	*

### Notes:

RTD Return to Door

MK Masterkeyed

SD Standard differ

Spindles supplied with all knob/knob and knob/RTD levers are suitable for doors from 44mm to 54mm thick.

All cylinders provided have Anti-barricade function ie. key will always override thumbturn to unlock the door  
For 44mm doors use 3030 cylinder

For 54mm doors use 3535 cylinder

The Briton range of anti-ligature hardware includes a number of pull handle variants. The design of the pull handles is such that they cannot be used to attach a ligature.

Briton 4902 'Finger Grip' handles are solid cast stainless steel with softly scooped sides (see opposite). They are available in a single size and can be fitted individually, bolted through the door with a push plate on the reverse or can be supplied as a back to back pair bolted securely through the door.

In each case the pull handle cannot be removed from the inside to ensure complete safety.

Briton 4901 pull handles (see facing page) are plate mounted and the large diameter pull affords sufficient grip for larger doors or those fitted with a self closing device. The open ended design ensures the pull handle cannot be used to attach a ligature.

The Briton 4901 pull handle is available as a single pull, bolted through the door. We recommend a suitable push plate should be mounted on the reverse (available from the Briton Specification range, code 4080.300.5S). The 4901 is also available as a back to back pair.

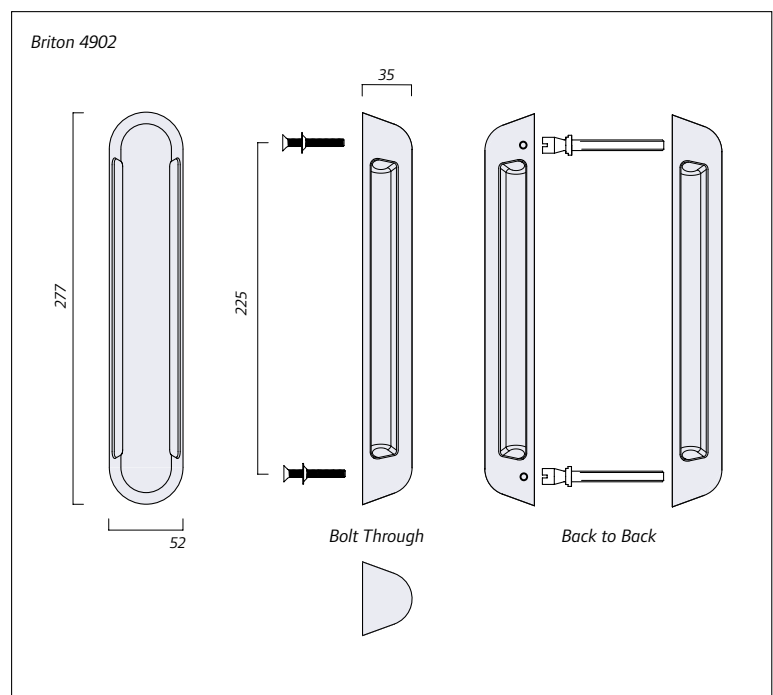
Grade 316 satin stainless steel finish is compatible with other hardware items allowing the Anti-ligature products to be specified as part of a fully integrated door hardware package



Above, 4902.1.SS Anti-Ligature 'Finger Grip' handle in satin stainless steel finish.

The unique anti-ligature shape of the 'Finger Grip' pull handle means that only a limited retention force can be applied to attempt to hold the door shut and prevent access from outside, but at the same time giving enough grip to operate the door normally.

*Please Note: Pull handles are available from the beginning of 2007.*



# Briton Pull Handles

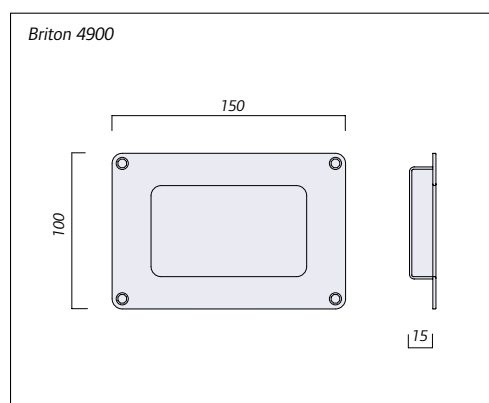
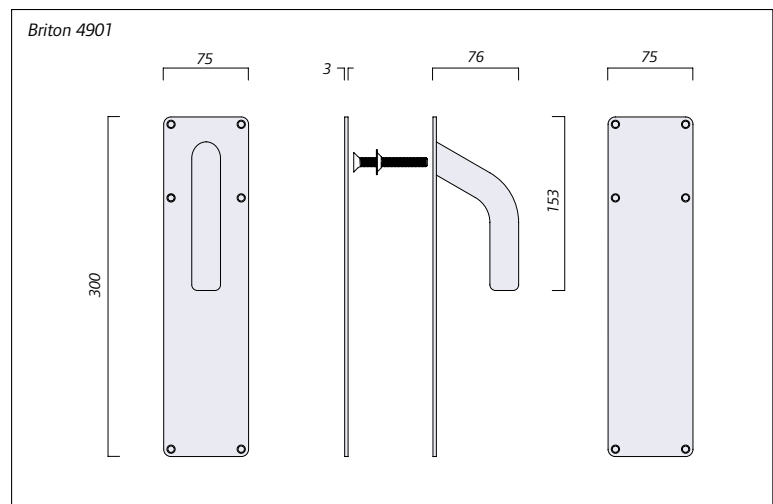
4901 Anti-Ligature pull on plate. Available as a single sided or back to back assembly.



## Product Selector - Pull Handle Furniture

product ref:	finish:	description
4900.1.SS	SS	Single flush pull c/w fixing screws
4901.1.SS	SS	Single anti-ligature pull handle on plate with bolt through fixing and finger plate on reverse
4901.2.SS	SS	Pair of anti-ligature pull handles on plate for back to back fixing
4902.1.SS	SS	Single anti-ligature 'grip' handle with bolt through fixing
4902.2.SS	SS	Pair of anti-ligature 'grip' handles for back to back fixing

For back to back flush pulls order 2 x 4900.1.SS. The fixings supplied will accommodate back to back fixing.



For light swing doors which are not fitted with door closing devices, or for sliding doors the Briton 4900 flush pull provides a positive finger grip.

The Briton 4900 flush pull may also be suitable for use on cupboard doors.

Available as a single face fixed item or as a pair.

Please note, all pull handles are new to the Briton Anti-Ligature range and are being introduced throughout 2007. Please check availability with our **Customer Care Centre Tel. 08706 012012**



55 Clifton Road • Cambridge CB1 7EF  
**Telephone** 01223 414121 • **Fax** 01223 411002 • **Email** sales@acornironmongery.com  
**Website** www.acornironmongery.com

Whilst Acorn Architectural Ironmongery Limited has taken every care to ensure the accuracy of information, data or advice contained in this literature, no liability in respect of such information or advice, whether given negligently or not, can be accepted by the company. Acorn Architectural Ironmongery Limited retains the right to amend the technical specification of any range of equipment shown without notice.

Produced by Refresh Media Design Limited.